



## Instant Capture

12x Optical Zoom  
0.2Lux Ultra-Low Light Sensitivity



# SCP-2120

12x High Resolution PTZ Dome Camera

- 12x optical zoom (3.9 ~ 46mm), 0.2Lux ultra-low light sensitivity
- Features samsung's W-V DSP chipset
- 1/4" 600TV lines high resolution & coax communication
- 360° continuous rotation, high-speed pan & tilt at 650°/sec



12x High Resolution PTZ Dome Camera | SCP-2120

# Captured Before You Know It

650° Per Second High-Speed Pan & Tilt for Fast, Accurate Monitoring

## SCP-2120

SAMSUNG

650°/sec

650°/sec High-Speed Pan & Tilt



With high-speed pan and tilt operations at 650° per second, the SCP-2120 captures broad areas quickly and accurately.

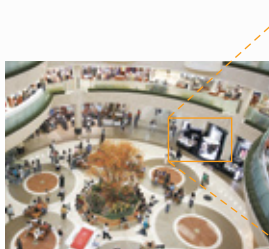
# Why Choose the SCP-2120



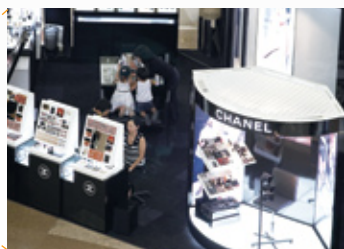
## 12x Optical Zoom



Equipped with a 12x auto-focus zoom (3.9 ~ 46mm) and a 16x digital zoom, the SCP-2120 achieves a maximum of 192x combined zoom for fast and accurate monitoring.



Normal



Optical 12x Zoom

## 600TV Lines High Resolution



Samsung's proprietary W-V chipset allows this camera to capture 600TV lines resolution color images or 700TV lines resolution B/W images with superior clarity.



Conventional Camera

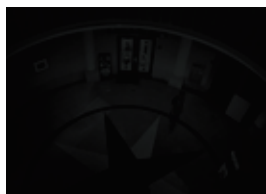


SCP-2120

## 0.2Lux Ultra-Low Light Levels



With ultra-low light levels of 0.2Lux, the SCP-2120 clearly captures objects in very dark conditions down to 0.2Lux.



Conventional Camera



SCP-2120

## Discreet Design



Encased in a flush-type chassis and colored simple white, the SCP-2120 can be ceiling-mounted to perfectly blend in with any interior design for discreet monitoring.



## 255 Presets

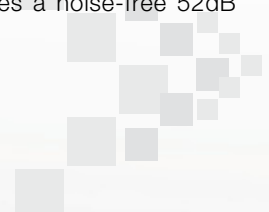


The SCP-2120 is capable of storing up to 255 preset positions.

## COAX Communications System & SSNR III



The camera OSD can be accessed remotely via coaxial control, while Samsung super noise reduction technology (SSNR III) achieves a noise-free 52dB S/N ratio.



# 12x High Resolution PTZ Dome Camera

# SCP-2120

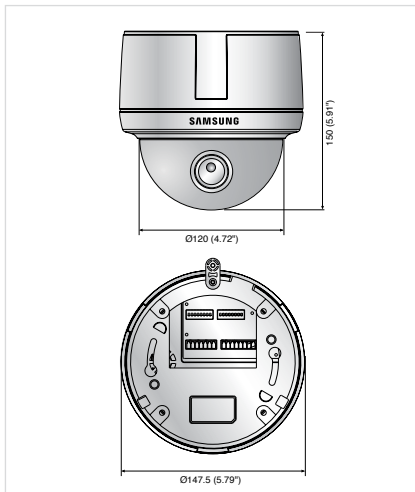


## Specifications

	SCP-2120N (NTSC)	SCP-2120P (PAL)
<b>ELECTRICAL</b>		
Input Voltage	24V AC ±10%	
Power Consumption	Max. 12W	
<b>VIDEO</b>		
Imaging Device	1/4" Super HAD CCD	
Total Pixels	811(H) x 508(V)	795(H) x 596(V)
Effective Pixels	768(H) x 494(V)	752(H) x 582(V)
Scanning System	2 : 1 Interlace	
Synchronization	Internal / AC line lock	
Frequency	H : 15.734KHz / V : 59.94Hz	H : 15.625KHz / V : 50Hz
Horizontal Resolution	Color : 600TV lines (Min.) / B/W : 700TV lines (Min.)	
Min. Illumination	Color : 0.2Lux (50 IRE@F1.67), 0.0004Lux (Sens-up, 512X) / B/W : 0.004Lux (50 IRE@F1.67)	
S / N (Y signal)	52dB	
Video Output	CVBS : 1.0Vp-p / 75	
<b>LENS</b>		
Zoom Ratio	12x (Optical), 16x (Digital)	
Focal Length	3.9 ~ 46mm (F1.67 ~ 1.88)	
Max. Aperture Ratio	1 : 1.67(Wide) ~ 1.88(Tele)	
Min. Object Distance	1.8m (5.91ft)	
Angular Field of View	H : 25.77°(Wide) ~ 2.55°(Tele) / V : 19.64°(Wide) ~ 1.69°(Tele)	
Focus	Auto / Manual / One-push	
Zoom Movement Speed	1.9sec	
Iris Control	Auto / Manual	
<b>PAN / TILT</b>		
Pan Range	360° Endless	
Pan Speed	Preset : 650°/sec / Manual : 0.024°/sec ~ 120°/sec (Proportional zoom ratio)	
Tilt Range	-5° ~ 185°	
Tilt Speed	Preset : 650°/sec / Manual : 0.024°/sec ~ 120°/sec (Proportional zoom ratio)	
Preset Positions	255	
Preset Accuracy	±0.1°	
PTZ Mode	Preset, Swing, Group, Tour	
<b>OPERATIONAL</b>		
On Screen Display	Korean, English, Japanese, Spanish, French, Portuguese, Taiwanese	English, French, German, Spanish, Italian, Chinese, Russian, Polish, Czech, Romanian, Serbian, Swedish, Danish, Turkish, Portuguese
Camera Title	On / Off (Displayed 15 characters)	
Day & Night	Auto (ICR) / Color / B/W	
SSDR	On / Off (Level adjustable)	
Backlight Compensation	BLC / HLC / Off	
Motion Detection	On / Off (8 Programmable zones)	
Digital Image Stabilization	On / Off	
Privacy Masking	On / Off (12 Programmable zones)	
2D+3D Noise Filter (SSNR III)	On / Off (Level adjustable)	
Sens-up (Frame Integration)	Auto / Off (Selectable 2x ~ 512x)	
Gain Control	Low / High / Off	
White Balance	AWC / Manual / Indoor / Outdoor / ATW (1,700°K ~ 11,000°K)	
Electronic Shutter Speed	Auto (NTSC : 1/60 ~ 1/120,000sec, PAL : 1/50 ~ 1/120,000) / Manual / A.FLK	
Communication	RS-485/422, Coaxial control	
Protocol	Samsung Techwin, Pelco-D, Pelco-P, Pelco Coaxitron, Panasonic, Honeywell, AD, Vicon, BOSCH, GE	
Alarm	2 In, 2 Out	
Auto Digital Flip	On / Off	
<b>ENVIRONMENTAL</b>		
Operating Temperature / Humidity	-10°C ~ +50°C (+14°F ~ +122°F) / 20% ~ 80% RH	
Storage Temperature / Humidity	-20°C ~ +60°C (-4°F ~ +140°F) / 20% ~ 95% RH	
<b>MECHANICAL</b>		
Dimension (WxH)	Ø147.5 x 150mm (Ø5.79" x 5.91")	
Weight	1.065Kg (2.35 lb)	
Certifications	FCC (Class A), UL/cUL listed	CE (Class A), UL/cUL listed

## Dimensions

Unit : mm (inch)



## Controller (Option)



The Eco mark represents Samsung Techwin's will to create environment-friendly products, and indicates that the product satisfies the EU RoHS Directive.

Design and specifications are subject to change without notice.



### SAMSUNG TECHWIN CO., LTD.

145-3, Sangdaewon 1-dong, Jungwon-gu, Seongnam-si, Gyeonggi-do Korea 462-703  
Tel : +82-31-740-8151-8 Fax : +82-31-740-8145  
www.samsungcctv.com www.samsungsecurity.com

**SAMSUNG TECHWIN AMERICA Inc.**  
1480 Charles Willard St, Carson, CA 90746, UNITED STATES  
Tel Free : +1-877-213-1222 Fax : +1-310-632-2195  
www.samsungcctvusa.com

**SAMSUNG TECHWIN EUROPE LTD.**  
Samsung House, 1000 Hillwood Drive, Hillwood Business Park  
Chertsey, Surrey, UNITED KINGDOM KT16 0PS  
Tel : +44-1932-45-5300 Fax : +44-1932-45-5325

**TIANJIN SAMSUNG TECHWIN OPTO-ELECTRONICS CO., LTD.**  
No.11 Wei 6 Street, Micro-Electronic Industrial Park  
Jingang Road, Tianjin, P.R. CHINA 300385  
Tel : +86-22-23887788 Fax : +86-22-23887788

■ DISTRIBUTED BY

