

GV-SD010 Indoor IP Speed Dome



- Provide 18X, 23X, 36X
- CIF and D1 resolution
- H.264, MPEG4 and MJPEG
- 2 way audio
- Digital In x 4, Digital Out x 1
- Preset speed up to 400°/sec
- Auto-Calibration
- Digital Image Flip
- Minimum illumination 0.01 Lux (B/W)
- Wide Dynamic Range
- 16 languages on web interface

The GV-IP Speed Dome provides variable pan/tilt speeds ranging from a fast patrol of 400° per second to a slow ramble of 5° per second with 0.225° pan accuracy for fast and accurate tracking ability. The 360° endless rotation and -10°~190° tilt travel make tracking the object passing directly beneath the GV-IP Speed Dome. Maximum 64 preset points can be programmed for precise location of target areas, and users can also define 8 sequences, 4 auto-pan modes and 4 cruise routes for the Dome to operate automatically.

The GV-IP Speed Dome provides 4 alarm inputs and 1 alarm relay output, and the alarm management can be done through the network as well.

AVAILABLE MODELS

- GV-SD010-18X
- GV-SD010-23X
- GV-SD010-36X

SPECIFICATIONS

Models		GV-SD010-18X	GV-SD010-23X	GV-SD010-36X
Camera				
Image Sensor		1/4" Exview CCD	1/4" Progressive CCD	1/4" Exview CCD
Optical Zoom		18x	23x	36x
Digital Zoom		12x		
Effective Pixels	NTSC	380k		
	PAL	440k		
Horizontal Resolution	NTSC	530 TVL	540 TVL	530 TVL
	PAL	530 TVL	540 TVL	530 TVL
Scanning System		NTSC / PAL		
Synchronization Video		Internal / Line Lock		
Output S/N		1.0 Vp-p / 75 Ω, BNC		
Ratio		> 50 dB (AGC Off)		
Minimum Illumination		0.07 lux;0.01 lux (B/W)	0.1 lux;0.01 lux (B/W)	0.1 lux;0.01 lux (B/W)
Focal Length		4.1 ~ 73.8 mm	3.6 ~ 82.8 mm	3.4 ~ 122.4 mm
Focus Mode		Auto / Manual		
White Balance		Auto / Manual		
Iris Control		Auto / Manual		
Electronic Shutter	NTSC	1/1 ~ 1/10k s	1/2 ~ 1/30k s	1/1 ~ 1/10k s
	PAL	1/1 ~ 1/10k s	1/1.5 ~ 1/30k s	1/1 ~ 1/10k s
AGC Control		Auto / Manual		
Back Light Compensation		On / Off		
Video				
Video Codec		H.264, MPEG4, MJPEG		
Video Resolution	NTSC	720 x 480, 720 x 480 De-interlace, 360 x 240, 176 x 112		
	PAL	720 x 576, 720 x 576 De-interlace, 360 x 288, 176 x 144		
Frame Rate		30 fps (NTSC) / 25 fps (PAL) at D1		

Audio			
Audio input/output	2-way audio, stereo jack, ø 35 mm		
Audio Codec	G.711		
Network			
Interface	10/100 Base-T Ethernet, RJ-45 connector		
Protocol	HTTP, TCP, UDP, SMTP, FTP, DHCP, NTP, UPnP, DynDNS, 3GPP/ISMA RTSP		
Web Interface			
Installation & Management	Web-based configuration		
Firmware Upgrade	Remote upgrade through Web Browser IP Device Utility included in the Software DVD		
Access from Web Browser	live view, video recording, PTZ control, preset setting, bandwidth control, image snapshot, digital I/O control, 2-way audio, Picture-in-Picture (PIP), privacy mask, visual automation		
Language	Czech / Danish / English / French / German / Hebrew / Hungarian / Italian / Japanese / Polish / Portuguese / Russian / Serbian / Simplified Chinese / Spanish / Traditional Chinese		
Operation			
Pan Travel	360° endless		
Tilt Travel	-10° ~ 190°		
Manual Speed	0.5° ~ 90°/s		
Preset	64		
Preset Accuracy	0.225°		
Preset Speed	5° ~ 400°/s		
Sequence	8		
Auto Pan	4		
Cruise	4		
Privacy Mask	24	8 24	
Proportional Pan & Tilt	On / Off (Pan and tilt speed proportional to zoom ratio)		
Resume after Power Loss	Yes		
Home Function	Preset, Sequence, Auto pan, Cruise		
Auto Flip	Digital / Mechanical / Off		
Digital Slow Shutter	On / Off		
Motion Detection	On / Off		
Wide Dynamic Range	On / Off		
Day/Night: Mechanical IR Cut Filter	On / Off		
Image Inverse	On / Off		
Image Freeze	On / Off		
Alarm Input	4		
Alarm Output	1		
Alarm Reaction	Preset, Sequence, Auto pan, Cruise		
General			
Operating Temperature	0°C ~ 40°C (32°F ~ 104°F)		
Humidity	20% ~ 90% (non-condensing)		
Waterproof Standard	N/A		
Dimensions	ø 131 x 226 mm (5.2 x 8.9 in)		
Weight	1.6 kg (3.5 lbs)		
Power Source	NTSC	Input	100 / 115V AC, 0.63A, 50-60HZ
		Output	24V AC ± 10%, 1.5A
	PAL	Input	220 / 230V AC, 50 / 60HZ, 0.2A
		Output	24V AC ± 10%, 1.5A
Power Consumption	20 W		
Fan	On: 35°C / 95°F		
Regulatory	CE, FCC, RoHS		
Applications			
Network Storage	GV-NVR, GV-System		
3G Mobile Phone	Built-in player for 3GPP / ISMA		
Live Viewing	IE , GV-MultiView		
CMS Server support	GV-Control Center, GV-Center V2, GV-VSM, GV-GIS		

Optional Accessories

Optional accessories can be ordered separately depending on the application requirements. Contact your dealer for more information.

Model Number	Name	Details
81-D7H03-ST1	Straight Tube (25 cm) 	Height: 250 mm / 9.8 in Diameter: 50 mm / 2 in Weight: 1 kg / 2.2 lb Supplied with rubber washer-8 x 1, pendent tube washer x 1, spring washer -8 x 1, waterproof rubber x 1, M8-12 screw x 1
81-D7H03-ST2	Straight Tube (50 cm) 	Height: 500 mm / 19.7 in Diameter: 50 mm / 2 in Weight: 1.8 kg / 4 lb Supplied with rubber washer-8 x 1, pendent tube washer x 1, spring washer -8 x 1, waterproof rubber x 1, M8-12 screw x 1
81-D7H03-WMP	Mini Pendent Mount 	Dimensions (L x W x D): 184 x 104 x 115.2 mm / 7.24 x 4.09 x 4.54 in Weight: 0.6 kg (1.2 lb) Supplied with rubber washer-8 x 1, pendent tube washer x 1, spring washer-8 x 1, M8-12 screw x 1.
81-D7H03-WSP	Standard Pendent Mount 	Dimensions (L x W x D): 348 x 104 x 138.6 mm / 13.7 x 4.1 x 5.5 in Weight: 1.5 kg / 3.3 lb Supplied with rubber washer-8 x 1, pendent tube washer x 1, spring washer-8 x 1, M8-12 screw x 1
81-D7H05-CST	Corner Plate Mount 	Dimensions (L x W x D): 222 x 204 x 117 mm / 8.7 x 8 x 4.6 in Weight: 2 kg / 4.4 lb Supplied with washer-8 x 4, spring washer x 4, M8-16 screw x 4, M8 nut x 4
81-D7H05-CTB	Corner Thin Box Mount 	Dimensions (L x W x D): 300 x 164 x 222 mm / 11.8 x 6.5 x 8.7 in Weight: 6.7 lb Supplied with washer x 4, M8-16 screw x 4, spring washer x 4 Power Box can be set inside the thin box.
81-D7H05-PTB	Pole Thin Box Mount 	Dimensions (L x W x D): 291 x 136 x 242 mm / 11.5 x 5.4 x 9.5 in Weight: 3.1 kg / 6.9 lb Supplied with M8-16 screw x 4, washer x 4, spring washer x 4, stainless steel straps x 4 Power Box can be set inside the thin box.

81-D7H05-PTD	Pole Thin Direct Mount	<p>Dimensions (L x W x D): 232 x 136 x 60 mm / 9.1 x 5.4 x 2.4 in Diameter: 112~114 mm / 4.4 ~ 5.5 in Weight: 0.7 kg / 1.6 lb Supplied with stainless steel strap x 4, M8-16 screw x 4, washer x 4</p>
		
81-D7H05-WBM	Wall Box Mount	<p>Dimensions (L x W x D): 270 x 166 x 95 mm / 10.6 x 6.5 x 3.7 in Weight: 2.2 kg / 4.84 lb Supplied with M8-16 screw x 4, washer x 4, spring washer x 4 Power Box can be set inside the wall box.</p>
		
81-D7H05-MK2 Indoor use only	Indoor Mount Kit	<p>Height: 74 mm / 2.9 in Diameter: 140 mm / 5.5 in Weight: 0.3 kg / 0.7 lb Supplied with Waterproof Rubber, Hexagon Key, Lock Screw Plate, M5-8 screw x 1, M5-8 security screw x 1, M3-6 screw x 1</p>
		
81-D7H06-HCM Indoor use only (see Note later)	Hard Ceiling Mount	<p>Height: 21.4 mm / 0.84 in Diameter of the three holes: 4.5 mm / 0.17 in Diameter of the bracket: 158 mm / 6.22 in Supplied with Fixing Plate and Red Sticker</p>
		
81-D7H06-TBC Indoor use only	T-Bar Ceiling Mount	<p>Height: 160 mm / 6.3 in Diameter: 180 mm / 7.1 in Weight: 0.5 kg / 1.1 lb</p>
		
81-DH701-S01 Indoor use only	5.4" Smoke Cover	<p>Indoor use only Diameter: 137 mm / 5.4 in</p>
		
81-DH801-S01 Outdoor use only	5.8" Smoke Cover	<p>Diameter: 145 mm / 5.7 in</p>
		
81-P1030-001 Outdoor use only	Power Box (Input: 110 -115V AC)	<p>Dimensions (L x W): 185.5 x 147 mm / 7.3 x 5.8 in Weight: 2.6 kg / 5.8 lb Output: 24VAC 72VA</p>
		
81-P2030-001 Outdoor use only	Power Box (Input: 220 -230V AC)	<p>Dimensions (L x W): 185.5 x 147 mm / 7.3 x 5.8 in Weight: 2.6 kg / 5.8 lb Output: 24VAC 72VA</p>
		

GV-IP Speed Dome Installation Methods

With the proper accessories, GV-IP Speed Dome can adapt to environment requirements to be installed differently. The table below lists a variety of installation methods and the optional accessories you need to purchase for different installation methods.

Installation Method	Optional Accessories Needed	
	Indoor Type	Outdoor Type
Ceiling Mount		
Surface Mount	Standard package is enough	N/A
Flush Mount	T-Bar Ceiling Mount	N/A
Straight Tube Mount	Straight Tube Indoor Mount Kit	Straight Tube
Wall Mount		
Standard Pendant Mount	Standard Pendant Mount Indoor Mount Kit	Standard Pendant Mount
Mini Pendant Mount	Mini Pendant Mount Indoor Mount Kit	Mini Pendant Mount
Wall Box Mount	Wall Box Mount Indoor Mount Kit Standard/Mini Pendant Mount	Wall Box Mount Standard/Mini Pendant Mount
Corner Mount		
Corner Plate Mount	Corner Plate Mount Indoor Mount Kit Standard/Mini Pendant Mount	Corner Plate Mount Standard/Mini Pendant Mount
Corner Thin Box Mount	Corner Thin Box Mount Indoor Mount Kit Standard/Mini Pendant Mount	Corner Thin Box Mount Standard/Mini Pendant Mount
Pole Mount		
Pole Thin Direct Mount	Pole Thin Direct Mount Indoor Mount Kit Standard/Mini Pendant Mount	Pole Thin Direct Mount Standard/Mini Pendant Mount
Pole Think Box Mount	Pole Think Box Mount Indoor Mount Kit Standard/Mini Pendant Mount	Pole Think Box Mount Standard/Mini Pendant Mount

Ceiling Mount Options

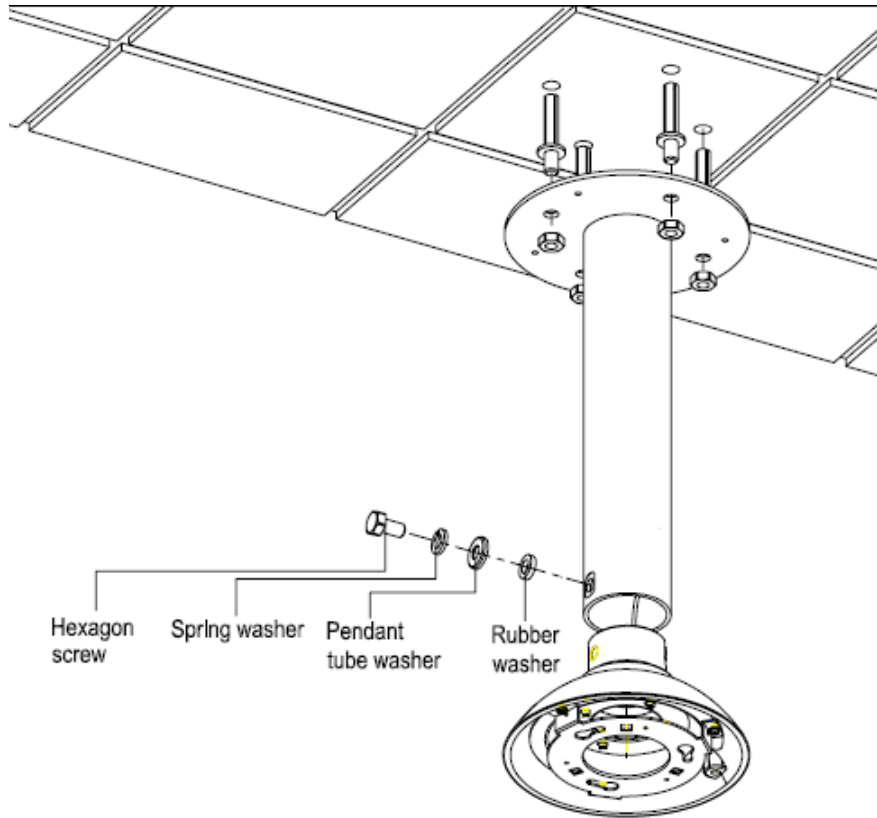
Surface Mount (Indoor Only)



Flush Mount (Indoor Only)

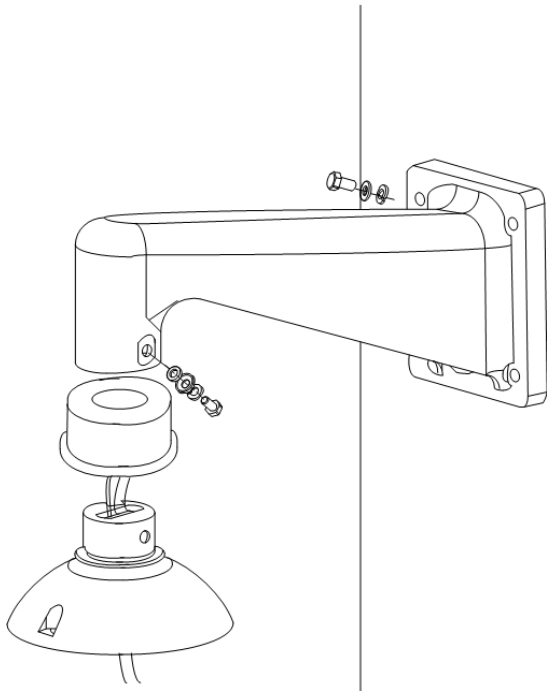


Straight Tube Mount

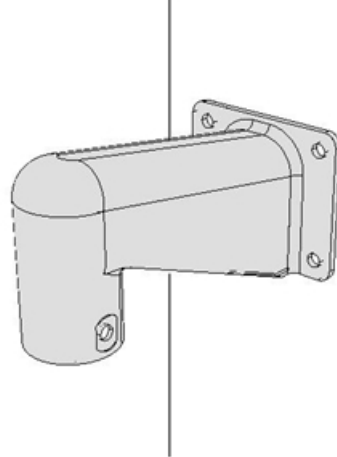


Wall Mount Options

Standard Pendant Mount

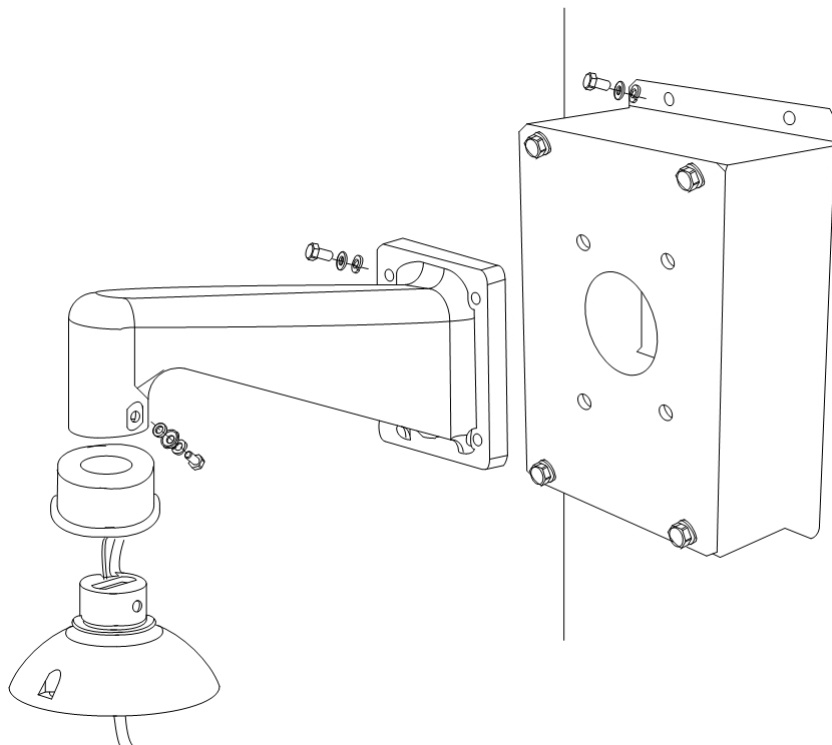


Mini Pendant Mount



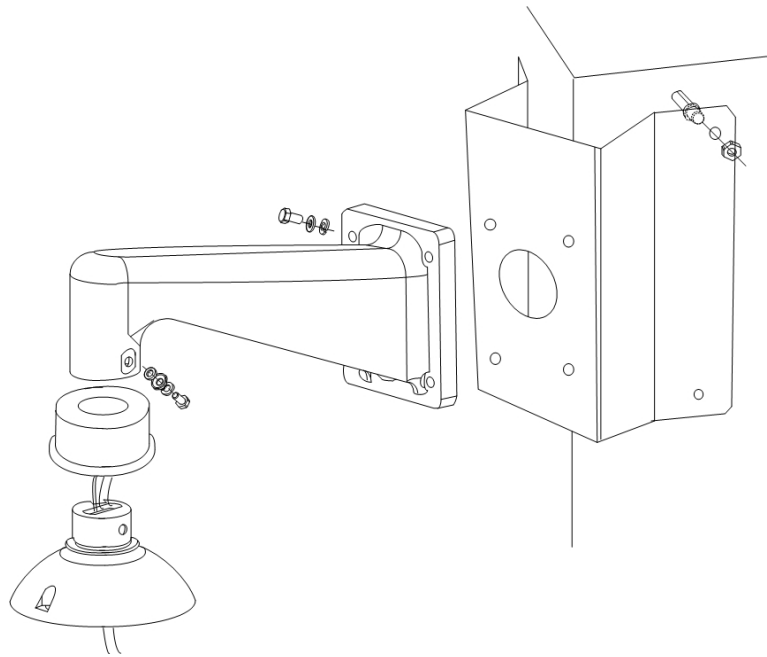
Wall Box Mount

The Power Box can be set inside the wall box.



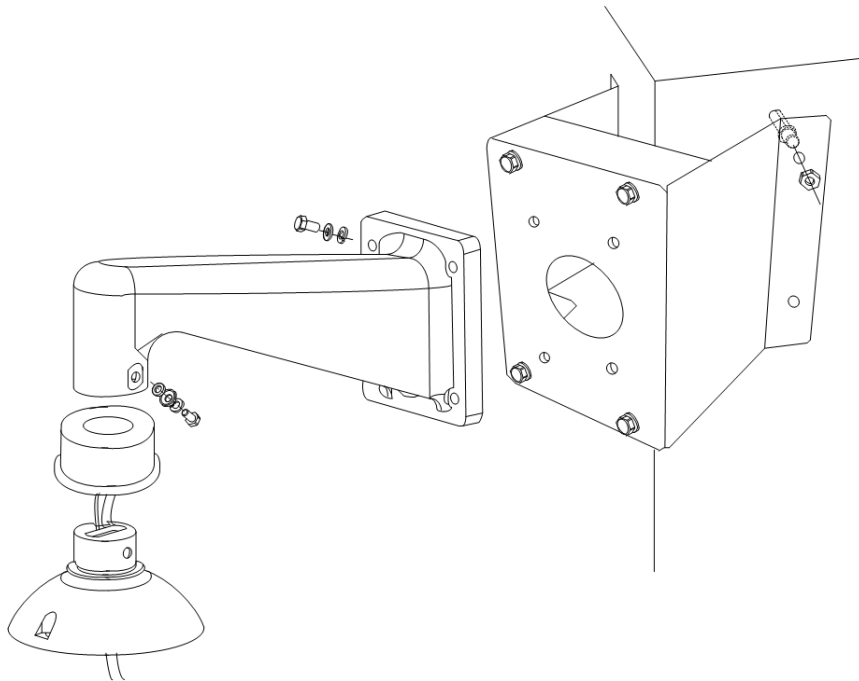
Corner Mount Options

Corner Standard Mount



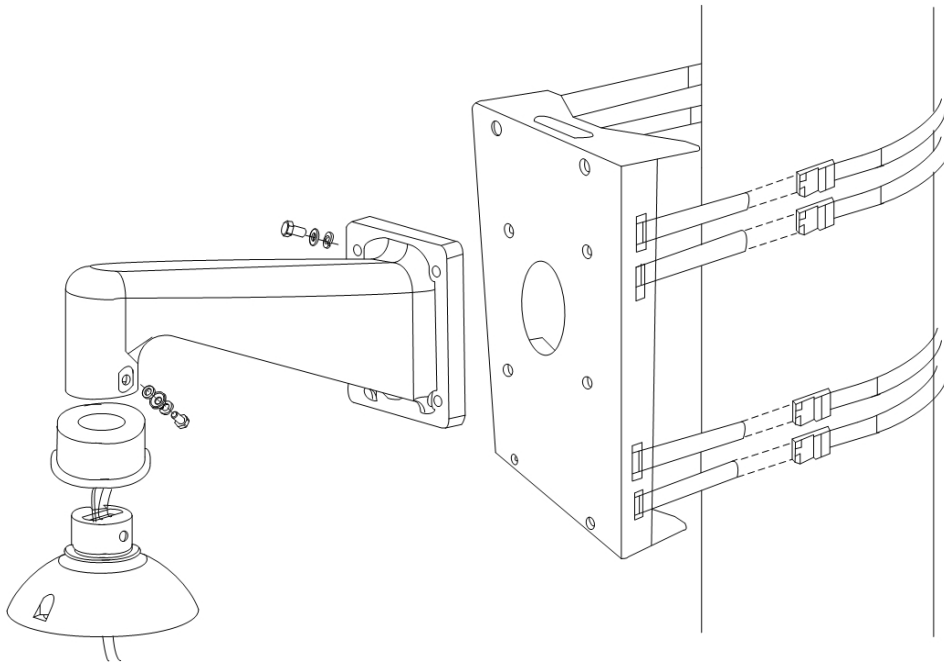
Corner Thin Box Mount

The Power Box can be set inside the thin box.



Pole Mount Options

Pole Thin Direct Mount



Pole Thin Box Mount

The Power Box can be set inside the thin box.

