



User Manual
Wild3
Wildlife Camera

Introduction

Thank you for purchasing our Wild3 wildlife camera. This device is a special camera designed specifically for recording and observing wildlife.

These easy to follow instructions will provide you with information on the operation and functions of the camera enabling you to get the most from your new purchase.

Before using the product, please read this user manual carefully.

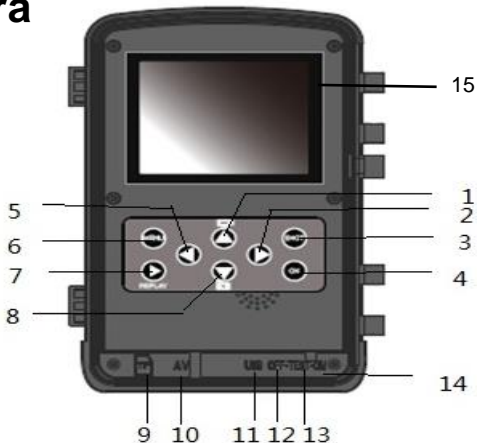
Safety

Please read the following safety precautions carefully before using the device.

- Do not try to open the camera case by yourself. Repairs can only be carried out by the manufacturer or their authorized agents.
- During operation the temperature of device may rise, this is normal.
- The camera must only be used with the accessories provided.

Parts of the camera

1. Up / Video Button
2. Right Button
3. Shot Button
4. OK Button
5. Left Button
6. Menu Button
7. Replay Button
8. Down / Capture Button
9. Micro SD Card Slot
10. AV Jack
11. USB Jack
12. OFF
13. Test
14. ON
15. Display Screen
16. Infrared LEDs
17. Lens
18. Motion Sensor



Power Supply

Before use, ensure that the batteries are inserted. Your wildlife camera requires 4 x 1.5 AA Batteries, although 8 can be installed for increased battery life.

- Open the camera case and insert the batteries into the battery compartment. Ensuring that the polarity is correct.
- When using 4 batteries, ensure they are all inserted into the same compartment. Spreading the batteries between the two compartments wont power the device.
- Close and lock the battery case.

The camera can also be operated using a power adapter (not supplied). The DC adaptor must supply a voltage of 6V with a max current of at least 1.5A.

- Unclip the rubber seal from the base of the camera and insert the power adaptor into the socket on the cameras base.

Inserting a Memory Card

Since the camera has no built-in memory, A MicroSD card should be inserted into the camera to enable videos and pictures to be saved. The card must be formatted before use.

- Supports MicroSD cards, up to 32GB.
- To avoid malfunction, the memory card should be kept away from water, strong vibrations, dust, heat sources and direct sunlight.
- Do not insert the memory card forcibly. Please refer to the markings on the camera to confirm the correct orientation.
- During first use, wait for the memory card to reach the ambient temperature before use. Large fluctuations in temperature could cause a malfunction.
- When used outdoors the camera should be mounted in a sheltered place, to avoid extremes of temperature or humidity.
- Once the memory card is full, the camera will stop recording automatically and the LEDs will go out.
- Press the edge of the card gently to pop out and remove the TF card.

Basic Operation

Turn the Camera On And Off

To turn the camera on, slide the Mode Switch to “Test or On”.

To turn the camera off, slide the Mode Switch to “Off”.

System Setup

Slide the Mode Button to “Test”, to gain access to the system setup.

1. Press the Menu button to enter the setup menu.
2. Press the Up/Down buttons to select the function to amend. Then press OK to view the options available.
3. Press the Up/Down buttons to select the desired option. Then press OK to confirm the selected option.
4. Press the Menu button to return to the previous menu or exit setup.

The setup menu and function as below:

Mode

Set the working mode.

In Photo mode: The camera will just take pictures.

In Video mode: The camera will just record video.

In Photo & Video mode: The camera will take a photo first, and then start to record video.

Options : **【Photo】 / 【Video】 / 【Photo & Video】** .

Photo Resolution

Set the resolution of the picture taken. The higher the resolution, the sharper the image will be, but the file size will also be larger.

Options : **【12MP(4000x3000P)】 / 【8MP(3264x2448P)】 / 【5MP(2592x1944P)】 / 【3MP(2048x1536P)】 / 【1MP(1280x960P)】** .

Photo Series

Set the number of photos the camera will take when operating in Photo mode.

Options : **【1 photo】 / 【2 photos in series】 / 【3 photos in series】** .

Video Resolution

Set the resolution of videos recorded. Increasing the resolution will decrease the length of video that can be stored.

Options : 【1920x1080P】 / 【1280x720P】 / 【720x480P】 / 【640x480P】
/ 【320x240P】 .

TL Video Resolution

Set the resolution of time lapse video.

Options: 【2592x1944P】 / 【2048x1536P】 .

Video Length

Set the duration of each video recording when triggered in Video or Photo and Video Mode.

Options : 3 seconds~10 minutes.

Audio Recording

Select whether the camera will also record audio in Video or Photo and Video Mode.

Options : 【On】 / 【Off】 .

Shot Lag

Set the delay that is applied after a video or photo is saved, before the unit can be retriggered. This can be used to prevent the storage been taken up with the same event.

Options : 5 seconds~60 minutes.

IR Distance

Set the distance covered by the Infrared when running in darkness.

Options : 【Near】 / 【Middle】 / 【Far】 .

Sensitivity Motion Sensors

Set the sensitivity of the motion sensor, depending on the location of the camera.

When used indoors there is likely to be very little environmental noise, so “High” can be used.

When used outdoors the “Middle” or “Low” options should be used.

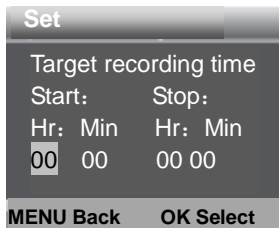
Choose “Low” if you find the camera is often triggered due to movements in the environment. Temperature can also affect the sensitivity.

Options : 【Low】 / 【Middle】 / 【High】 .

Target Recording Time

Set the target recording time. You are able to set the start and stop time. The camera will only work within the stated time slot.

Options : **【On】 / 【Off】** .



Time Lapse

There are three options within the time lapse menu:

[Normal]: The camera will take pictures automatically at the set time interval. For example, set the interval to 1 hour, the camera will take a photo each hour.

[TL Video]: The time range can be set from 1 second to 24 hours. For example, set the interval to 1 hour, the camera will take a photo each hour. If the camera works for 24 hours, there will be 24 photos. These photos will then be converted into a video.

[Off]: Turn off the time lapse function.

Language

Set the language displayed on screen.

Options : **【English】** / **【German】** / **【Danish】** / **【Finnish】** / **【Swedish】**
【Spanish】 / **【French】** / **【Italian】** / **【Dutch】** / **【Portuguese】** / **【Simplified Chinese】** / **【Japanese】** .

Time & Date

Set the date and time on the camera.

The date format can be changed between:

dd/mm/yyyy, yyyy/mm/dd , mm/dd/yyyy.

The time format can be changed between 12 or 24 hours.

Options : **【Set time & date】** / **【Time format】** / **【Date format】** .

Photo Stamp

Choose whether to stamp the date and time on photos.

Options : **【Time & date】** / **【Date】** / **【Off】** .

Password Protection

Set a power-on pin number for the camera. The pin is four digits.

If you forget the pin, please reset the camera, and the camera will be returned to factory settings.

Options : **【On】** / **【Off】** .

Beep Sound

Turn on/off sounds when buttons are pressed on the keypad.

Options : **【On】 / 【Off】** .

Format Memory Card

Formatting the memory card will delete all data permanently. Before using a new memory card or one that has been used in another device, it should be formatted.

Options : **【Yes】 / 【No】** .

Serial NO.

Set the unique serial number for the camera. The number is four digits , each digit ranges from 0 to 9.

Options : **【On】 / 【Off】** .

Reset Settings

Restore the camera to factory default settings removing the password, and any changes made to the settings.

Options : **【On】 / 【Off】** .

Version

Provides firmware information for the camera.

Take Photos, Record Video, Playback

Slide the mode switch to “Test”. In this mode, you can take photos, record video and playback files manually.

Take Photos: Press the Capture button to switch to photo mode. Press the Shot button to take a picture.

Record Video: Press the Video button to switch to video mode. Press the Shot button to start recording a video clip. Press Shot again to stop recording.

Playback: Press the Playback button to enter the playback interface. Press the Up/Down buttons to select the photo or video. To playback a video, select it and press OK to play.

The OK button can be pressed during playback to pause the video. Press the Menu button to stop playback.

Pressing the Playback button exits the playback mode.

Playback Menu

Delete current file: Delete the selected photo or video.

Options : **【Cancel】** / **【Delete】** .

Delete all files: Delete all photo and video files on the memory card.

Options : **【Cancel】** / **【Delete】** .

Activate slide show: Playback the photos as a slide show. Each photo will display 3 seconds. Press OK to stop playback.

Write protect: Lock the file to help prevent accidental deletion.

Options : **【Write-protect current file】** / **【Write-protect all files】** / **【Unlock current file】** / **【Unlock all files】** .

Working Mode

Slide the mode switch to “On”. The screen will display a 15 second countdown. The LEDs and screen will then go out and the camera will start to operate in accordance with the rules set up within the menu. If animals enter the detection range of the camera, it will be activated. If the animal continues to move into the detection zone, the camera will take a picture or record video automatically.

When the animal leaves the detection zone, the camera will return to standby mode.

Night Mode

When the light level drops, the infrared LED's will illuminate automatically to provide the necessary light for taking pictures. The LED's make it possible to take pictures at distances of around 3 to 20m without overexposure. However reflective objects such as traffic signs can cause overexposure if they are located within the recording range.

Please note that while recording at night the picture will be black and white. In addition night time recording consumes additional battery power, and the stability of the camera may be affected if the battery level becomes low. If this happens, please replace the batteries.

Using the wall bracket

You can mount the camera on a wall or tree using the supplied bracket. Before mounting the bracket you should ensure that all existing screws are tight. For the best results the installation height should be around 1m from the floor.

Compon

1. Tripod screw

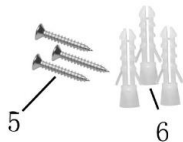
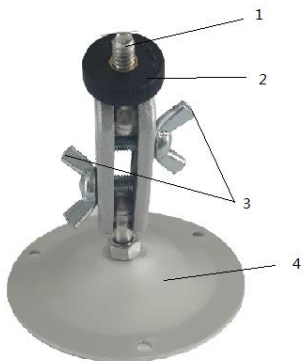
2 Lock nut

3 Pivot bolts

4 Drill holes

5 Screws

6 Wall plugs



Mounting the wall bracket

Required tools

- Drill
- 6 mm masonry/concrete drill bit
- Phillips head screwdriver

Caution

- Ensure that there are no electric lines, water or heating pipes installed at the proposed drilling location.
- The supplied wall plugs are only suitable for mounting on concrete or stone.
- Before starting the installation, please check your installation location and source different fixings if required.
- If in doubt, consult a professional.

Installation

- Mark the drill holes by holding the base of the bracket at the desired mounting position and mark the position of the holes.
- Use a drill with a 6 mm bit to drill the holes and insert the plugs so that they sit flush with the wall.
- Screw the bracket to the wall using the supplied screws.
- Twist the tripod screw onto the camera (around three turns).
- Set the camera to the desired position and use the locking nut to fix in place
- Adjust the angle of the camera by untightening the pivot bolts, and maneuver the camera, before retightening.

Connecting to TV

The camera can output a video signal to an external monitor or television. Please follow below instructions to operate.

1. Connect the camera to the TV using the provided AV cable.
2. Turn on the TV and set it to AV mode.
3. Turn on the camera, slide the Mode switch to “Test”.
4. Once connection is successful, the camera will enter playback mode and the screen will turn black. The image will be displayed on the TV.

Downloading files to a Computer

There are two ways to download files from the memory card to a computer:

- By inserting the memory card into a card reader
- By connecting the camera to a computer using the supplied USB cable.

Using a Card Reader

1. Remove the memory card from the camera and insert it into a card reader. Then connect the card reader to a computer.
2. Open [My Computer] or [Windows Explorer] and double-click the removable disk icon that represents the memory card.
3. Copy image or video files from the memory card to your computer.

Connecting the Camera to a PC using a USB Cable

1. Connect the camera to the computer via a USB cable. Turn on the camera, the screen will display "MSDC".
2. Open [My Computer] or [Windows Explorer]. A "Removable Disk" appears in the drive list. Double-click the "Removable Disk" icon to view its contents. All files are stored in the folder named "DCIM".
3. Copy the photos or files to your computer.



According to Waste of Electrical and Electronic Equipment (WEEE) directive, WEEE should be separately collected and treated. If at any time in future you need to dispose of this product please do NOT dispose of this product with household waste. Please send this product to WEEE collecting points where available.

ElectrIQ UK Support

www.ElectrIQ.co.uk/support

0871 620 1057

Office hours: 9AM - 5PM Monday to Friday

www.ElectrIQ.co.uk

Unit J6, Lowfields Business Park

Lowfields Way, Elland

West Yorkshire, HX5 9DA