

electriQ

USER MANUAL



27" LED MONITOR EIQ-27MF144FSHDR

Thank you for choosing electriQ
Please read the user manual before using this monitor and keep it safe for future reference
Visit www.electriQ.co.uk to view our entire range of Intelligent Electricals

CONTENTS

Safety Information	2
What's Included	4
Monitor Dimensions	4
Connections Available on the Monitor	5
Wall Mounting	6
Getting Started	6
Monitor Controls	6
Initial Setup	7
Menu Options	7
Picture Settings	8
Image Settings	9
Colour Temperature Settings	10
OSD Settings	11
Reset	12
Miscellaneous Settings	13
Specification	14
Troubleshooting	15
Electriq UK Support	15

SAFETY INFORMATION

- Read these instructions - All the safety and operating instructions should be read before this product is operated.
- Keep these instructions - The safety and operating instructions should be retained for future reference.
- Heed all warnings - All warnings on the appliance and in the operating instructions should be adhered to.
- Follow all instructions - All operating and usage instructions should be followed.
- Do not use this equipment near water, or in humid environments – The appliance should not be used near water or moisture e.g. in a wet basement or near a swimming pool.
- Clean only with a dry cloth. Do not use solvents or petroleum based fluids.
- Do not block any ventilation openings.
- Do not install near any heat sources such as radiators, stoves or other apparatus (including amplifiers) that produce heat.
- Do not tamper with the supplied plug. This plug is a BS1363 standard plug.
- Protect the power cord from being walked on or trapped, particularly at the plug and at the point where it exits from the appliance.
- Only use attachments/accessories specified by the manufacturer.
- Use only with a cart, stand, tripod, bracket or table specified by the manufacturer or sold with the apparatus. When a cart or stand is used, use caution when moving it to avoid any injuries or damage from it tipping over.
- Unplug the apparatus during lightning storms or when unused for long periods of time.
- Refer all servicing to qualified personnel. Servicing is required when the apparatus has been damaged in any way, such as if the power supply cord or plug is damaged, liquid has been spilled or objects have fallen into the apparatus or it has been exposed to rain or moisture, it does not operate normally or has been dropped.
- Please keep the unit in a well-ventilated environment.
- The monitor should only be connected to a mains power supply as rated on the back of the equipment.
- To prevent overload, do not share the same power supply socket with too many other electronic components.
- Do not place any connecting wires where they may be stepped on or tripped over.
- Do not place heavy items on the cable as this may cause damage.
- When removing from a socket hold by the plug and not the wires.
- Disconnect the power immediately and seek professional help if the plug or cable is damaged, liquid has spilt onto the set, if accidentally exposed to water or moisture, if anything accidentally penetrates the ventilation slots or if the set does not work normally.
- Do not remove the safety covers. There are no user serviceable parts inside.

Trying to service the unit yourself is dangerous and may invalidate the product's warranty. Only qualified personnel should service this apparatus.

- Do not block ventilation slots on the back cover. The monitor can be placed in a cabinet but ensure at least 5cm (2") clearance all around. Do not tap or shake the screen, this may damage internal components.
- **WARNING:** To reduce the risk of fire or electric shock, do not expose this apparatus to rain or moisture. The apparatus shall not be exposed to dripping or splashing and objects filled with liquids, such as vases, shall not be placed on the apparatus.
- **WARNING:** The wall plug socket is used as a disconnection device and should remain readily accessible.
- **WARNING:** The batteries shall not be exposed to excessive heat such as direct sunlight or fire.



AT FULL VOLUME, PROLONGED LISTENING MAY DAMAGE THE USER'S HEARING.



This warning sign is to warn of dangerous voltage inside the product.



CAUTION: To reduce the risk of electric shock, DO NOT remove the cover (or back). No user serviceable parts inside. Refer servicing to qualified service personnel.



This warning sign is to alert you of important instructions accompanying the product.

WHAT'S INCLUDED



User manual



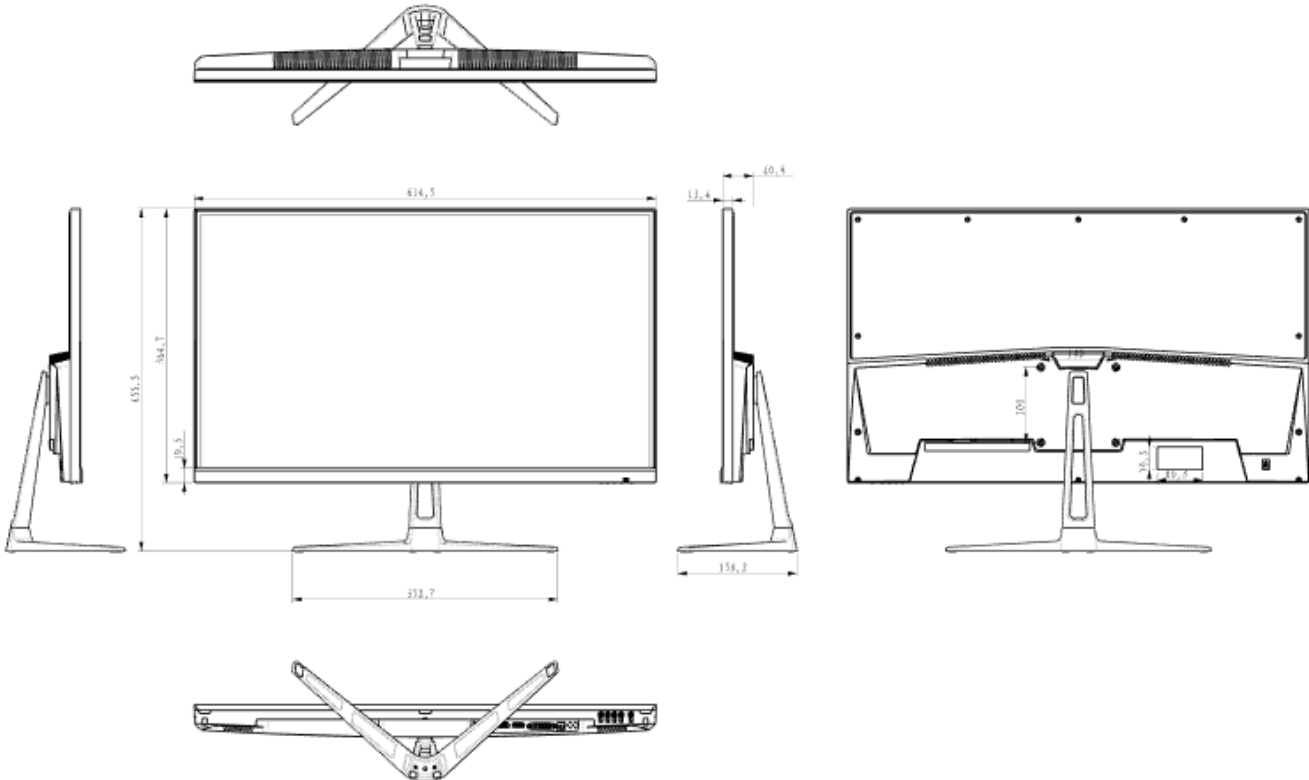
Power supply



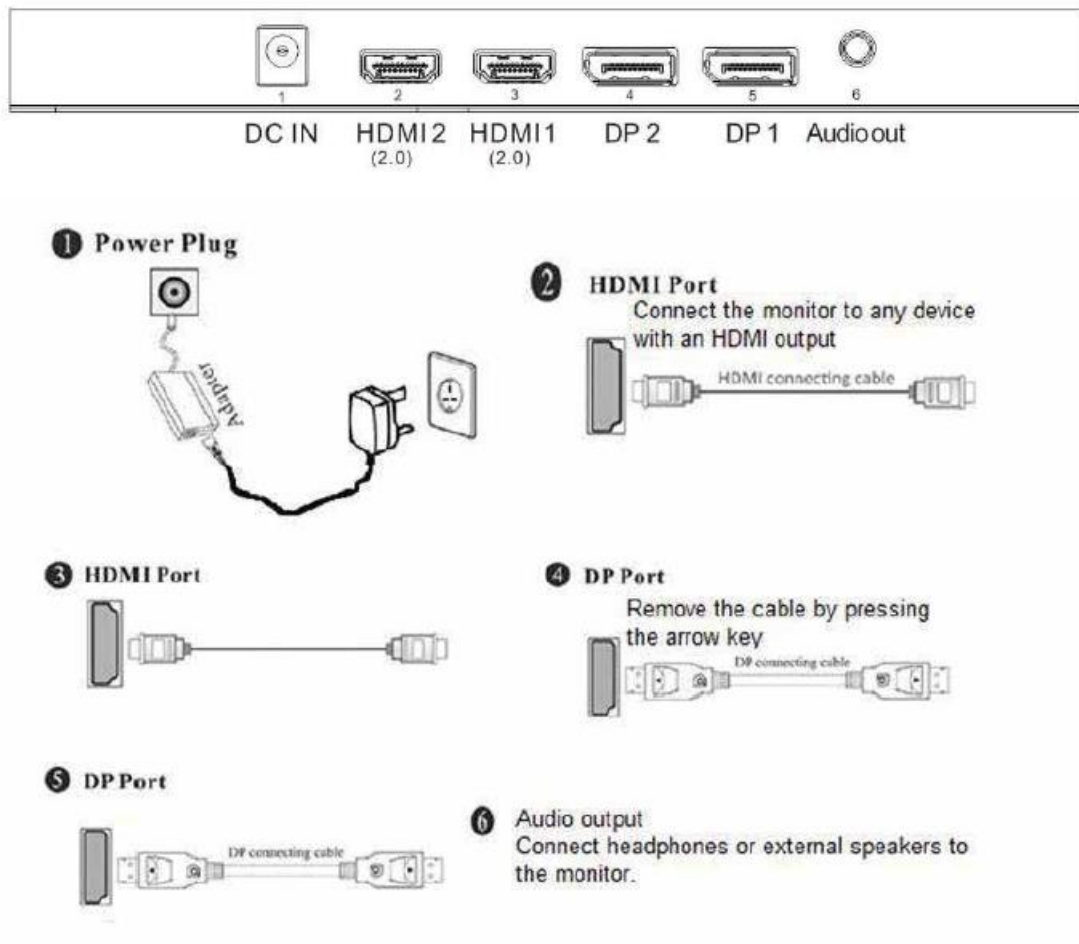
Power cable



HDMI



CONNECTIONS AVAILABLE ON THE MONITOR



1. DC input port: Connect the supplied power supply to power the monitor
2. HDMI port 1: Used to connect a compatible device. Supports HDMI 1.4 & 2.0 ;
3. HDMI port 2: Used to connect a compatible device. Supports HDMI 1.4 & 2.0 ;
4. Display Port 1: Used to connect a compatible device. Supports Display Port 1.2
5. Display Port 2: Used to connect a compatible device. Supports Display Port 1.2
6. Audio output port: Used for connecting headphones, or external speakers

WALL MOUNTING

The monitor is provided with mounting holes for a VESA approved wall mounting bracket (not supplied)

The VESA mounting pattern is: 100x100mm and the size of the screws is 4 x M6 x 10 (not supplied)
Do not use screws longer than specified or damage will occur to the internal components.

NOTE: As the monitor is considered heavy, please consult with a professional wall mount installer to perform the installation.

GETTING STARTED

MONITOR CONTROLS

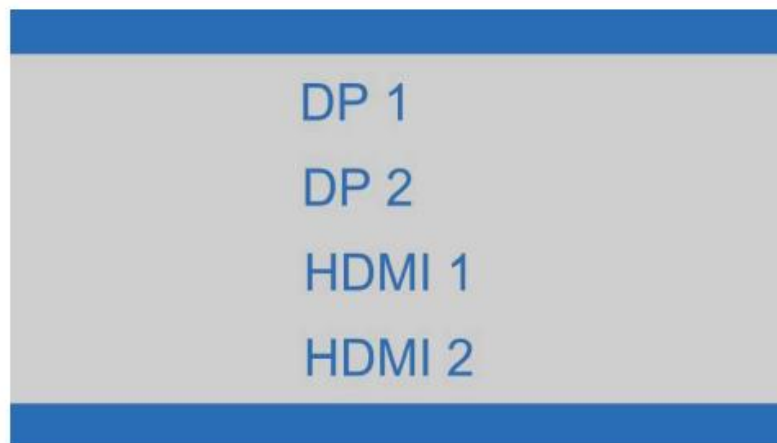


1. EXIT : Go back to previous menu, and exit the on screen display
2. ◀ : Move down/left in the OSD menu; Decrease (-) the value of volume/brightness.
3. ▶ : Move up/right in the OSD menu; Increase (+) the value of volume/brightness.
4. MENU: Enter into OSD menu and select an item for confirming settings.
5. POWER: Turn the monitor on and off.

INITIAL SETUP

Connect the monitor to a power outlet.

1. Press the POWER button on the monitor or to turn it on (The indicator will be blue)
2. Connect the relevant cable to the corresponding input on the monitor. The source will be automatically detected.
3. To change between inputs, press the "Source" button to enter the source menu. Use the "◀" and "▶" buttons to choose the input source between DP1, DP2, HDMI1 and HDMI 2.



MENU OPTIONS

The menu for the monitor can be accessed by pressing the menu button on the control panel. This menu is separated into the following sub menus: Picture Settings, Image Settings, Colour Temperature, OSD Settings, Reset, and Miscellaneous options, details of each menu can be found in the following section

BRIGHTNESS



BRIGHTNESS

Allows the adjustment of the image brightness, according to ambient light in the room. Value "0-100"

CONTRAST

Allows the adjustment of contrast between white and black areas of the image. Value "0-100"

ECO

Allows selection of image settings between the following: STANDARD, TEXT, MOVIE, and GAME, FPS, RTS".

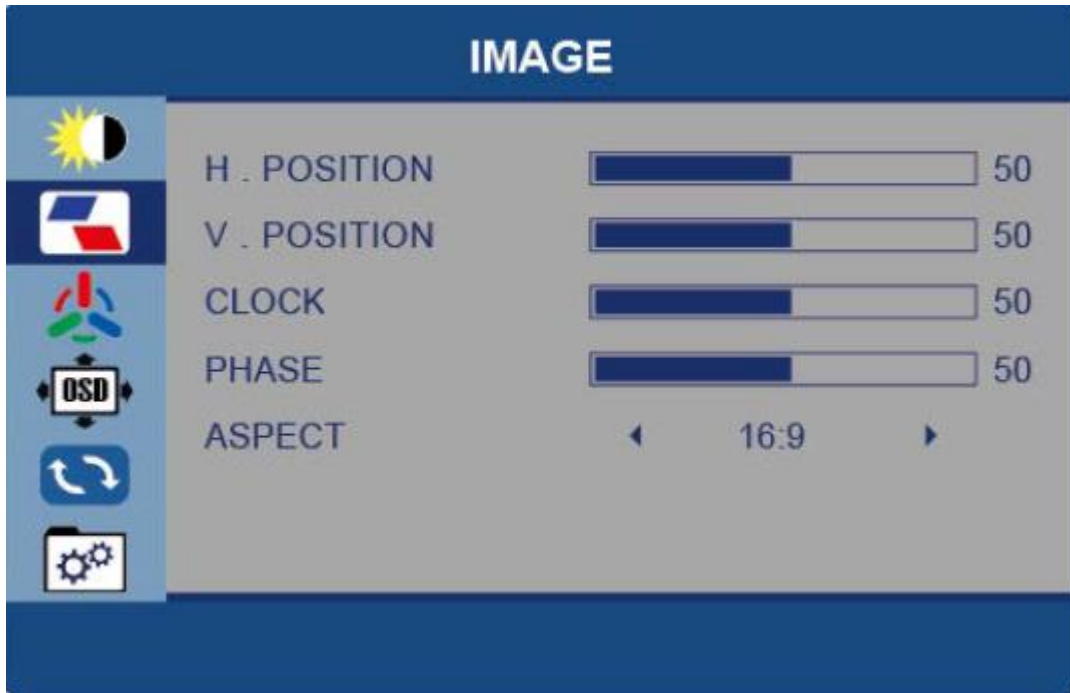
DCR

Allows the dynamic contrast of the picture to be turned ON and OFF

HDR MODE

Allows to change the GAMMA value between "OFF, AUTO, MAX ".

IMAGE SETTINGS



H. POSITION

Allows adjustment of the horizontal position of the display image. Use the "◀" and "▶" buttons to horizontally move the image.

V. POSITION

Allows adjustment of the vertical position of the display image. Use the "◀" and "▶" buttons to vertically move the image.

CLOCK

Allows adjustment of the CLOCK setting. Value "0-100"

PHASE

Can reduce video distortion and instability. Value "0-100"

ASPECT

Allows selection of video format of the between "16:9, 4:3.....".

COLOUR TEMPERATURE SETTINGS



COLOR TEMP.

Allows adjustment of the colour settings between the following options: "Normal – Warm - Cool - User". In the " User" setting, you have full control to alter the individual settings " Red : 0-100, Green: 0-100, and Blue : 0-100 ".

RED

Allows adjustment of the red element of color for the image

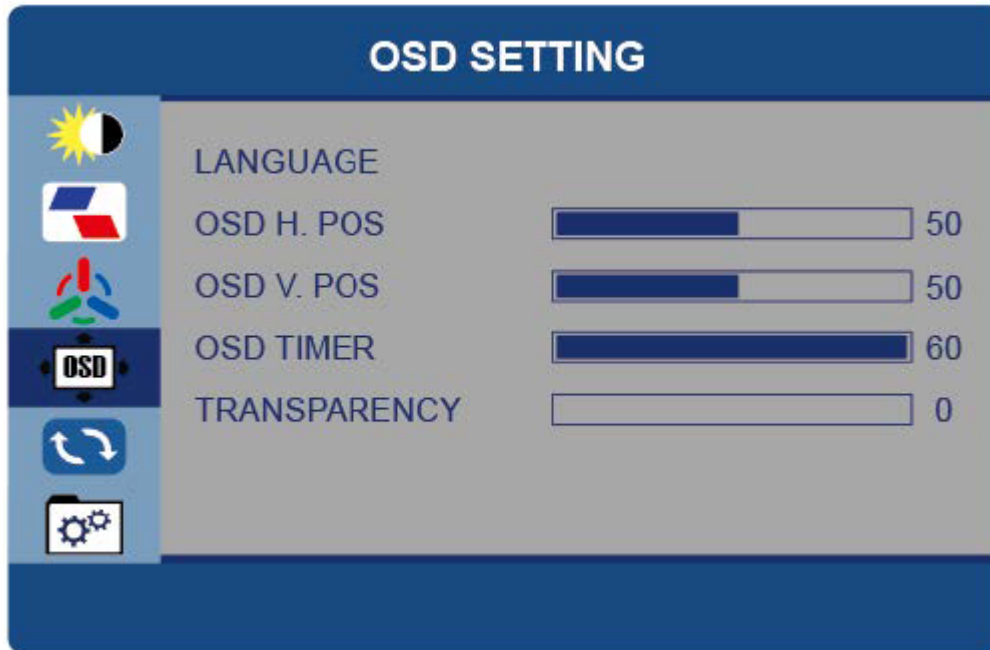
GREEN

Allows adjustment of the green element of color for the image

BLUE

Allows adjustment of the blue element of color for the image

OSD SETTING



LANGUAGE

Allows selection of desired language: “ENGLISH, FRENCH, TURKISH, ITALIAN, SPANISH, PORTUGUESE, CHINESE, DUTCH, JAPANESE, GERMAN, POLISH, KOREAN”.

OSD H. POS

Allows adjustment of the horizontal position of the OSD

OSD V. POS

Allows adjustment of the vertical position of the OSD

OSD TIMER

Allows adjustment of the duration of the OSD, value “0-60”

TRANSPARENCY

Allows adjustment of the transparency of the OSD, value “0-100”.

RESET

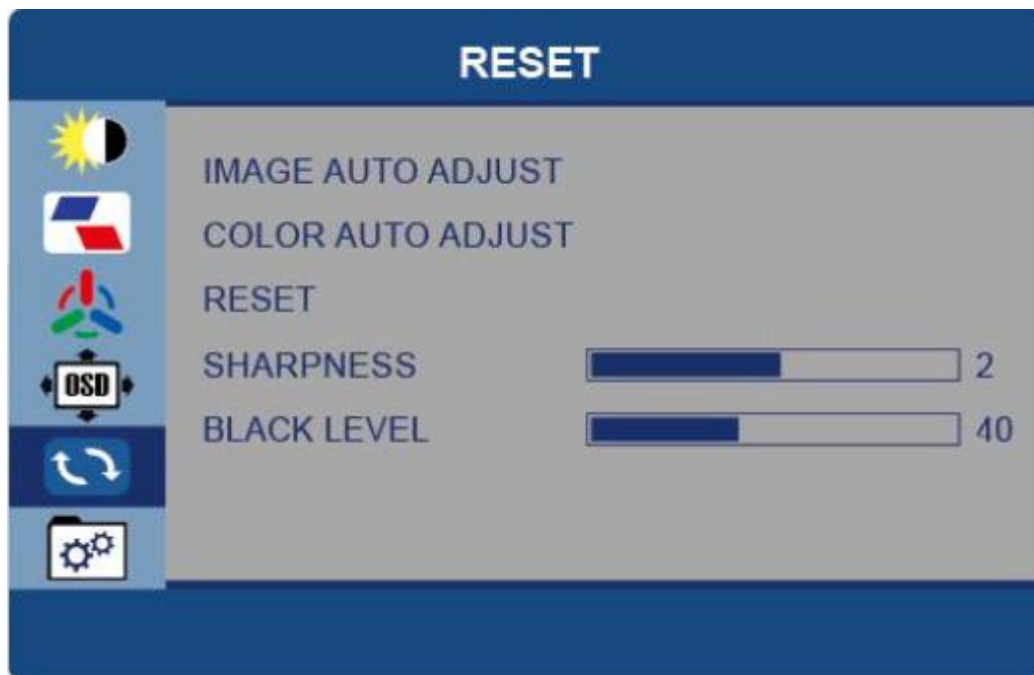


IMAGE AUTO ADJUST

Auto adjusts the image.

COLOR AUTO ADJUST

Auto adjusts the colour of the image.

RESET

Returns the monitor to its factory default settings.

SHARPNESS

Allows adjustment of sharpness between "0-4".

BLACK LEVEL

Allows adjustment of black level between "0-100".

MISCELLANEOUS



SIGNAL SOURCE

Allows user to choose the signal source of the display “ HDMI1, HDMI2, DP1, DP2, AUTO”.

VOLUME

Allows adjustment of the volume of the monitor from “0-100”.

LOW BLUE RAY

Allows adjustment of the low blue effect of the display, value: 0-100.

FREE SYNC

Allows FreeSync to be turned ON and OFF”.

OVERDRIVE

Allows adjustment of Overdrive function.

Overdrive is a technology that allows the monitor to decrease response time

SPECIFICATION

EIQ-27MF144FSHDR	
Panel Type	27" (16:9) LED Backlit Monitor
Case Type	Plastic
Best Resolution	1920(H) x 1080(V) @ 144Hz
Active Display Area	597.6 (H) X 336.15 (V)
Pixel Pitch	0.311 (H) x 0.311 (V)
Contrast Ratio	1000:1 Typical
Brightness	350 cd/m ²
Response Time	5ms(G2G)
Viewing Angle	U/D: 85° / 85°, L /R: 80° / 80°
Display Colours	16.7M
Adjustable Colour Temperature	WARM/ COOL /USER
Video Compatibility	Multi-Standard for NTSC / PAL
Aspect Ratio	16: 9
Speaker Multimedia Speakers	Right x 1 Left x 1, 2X3W
Sound Demodulation	Stereo. Audio
Mute	Yes
Operating Humidity	20 % - 70 %
Operating Temperature	- 10 to 50 °C
IN/OUT INTERFACE	
Video Interface	HDMI 2.0 x 2, DP 1.2 x 2
Audio Interface	Audio Out x 1
Safety & EMC Certification	CE / FCC / ROHS
Stand Type	Desktop
Button Position	Right Hand Side
POWER Voltage	AC90-130V 57-63Hz
Power Consumption	≤44W

TROUBLESHOOTING

Problem	Solution
No power	Insert the plug securely into the power outlet
No picture	Ensure that the equipment is connected properly
	Ensure the correct input is selected
Buttons on the monitor don't do anything	Disconnect the plug and then reconnect it. (The unit may not be operating properly due to lightning, static, or other factors.)
Noise or other interference	Electronic equipment near the unit may be causing interference. Relocate the unit or move the equipment.

ENVIRONMENTAL PROTECTION

Waste electrical products should not be disposed of with household waste. Please recycle where facilities exist. Check with your Local Authority or retailer for recycling advice.



ElectriQ UK SUPPORT

www.ElectriQ.co.uk/support

If the unit fails to operate call: 0871 620 1057 or complete the online form

Office hours: 9AM - 5PM Monday to Friday

www.electriQ.co.uk

Unit J6, Lowfields Business Park
Lowfields Way, Elland
West Yorkshire, HX5 9DA