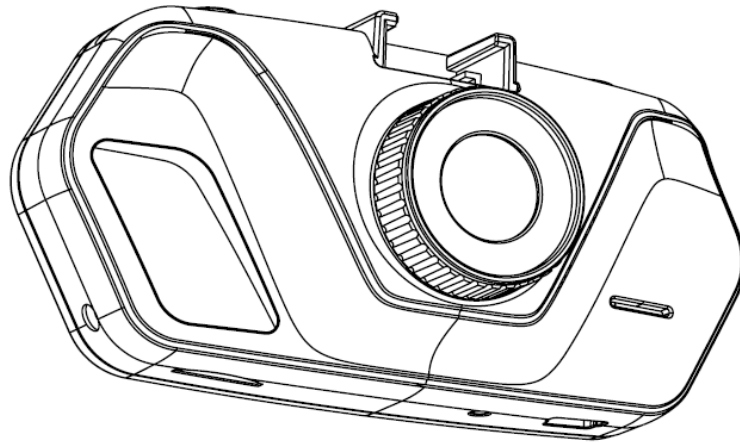


electric^o



Full HD | **Car DVR with GPS Logger
& Speed Camera Detector**

500CAM

500GCAM

1080P Full HD

Micro SD

GPS Logger & Speed Camera Detector (500GCAM Only)

User Manual

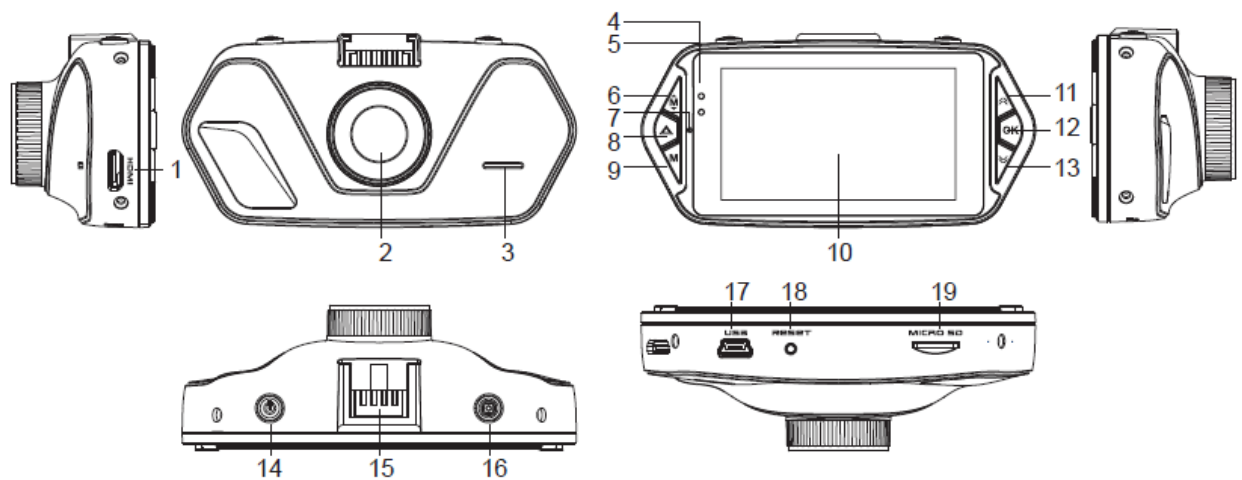
CONTENTS

Quick Start Guide.....	3
Product Overview.....	3
Button Functions.....	4
LED Status Lights.....	5
Operation.....	6
Menu Settings.....	8
Connection.....	12
DVR Player.....	13
Product Specifications.....	13
Appendix.....	14

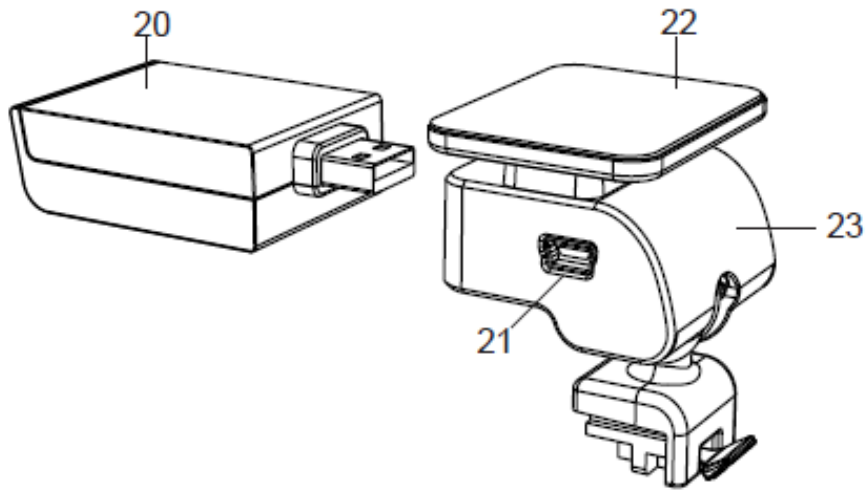
QUICK START GUIDE

Connect the camera to the camera mount by sliding the two parts together until they click into place. Mount the camera in the desired location in the vehicle. Connect the power supply cable to a 12V outlet in your vehicle and to the camera mount USB port. The camera will power on and start recording video automatically. To stop video recording press the OK button. To restart recording, press the OK button.

PRODUCT OVERVIEW



1. HDMI Port	2. Lens	3. Speaker
4. Status Light (blue)	5. Charging light (red)	6. Menu Button
7. Microphone	8. File Protection Button	9. Mode Button
10. LCD Display	11. Up Button	12. OK Button
13. Down Button	14. Power Button	15. Holder Connector
16. Camera Button	17. USB Port	18. Reset Button
19. Micro SD Card Slot		



20. GPS/ Radar Detector Module
21. USB Port
22. Sticker/Suction Mount attachment
23. Camera Holder

Accessories:

Car Charger x1	Sticker x1	Suction cup x1	USB cable x1
GPS Module x1 (500GCAM only)			

BUTTON FUNCTIONS

Power Button – Press this button for 2-3 seconds to turn on/off the device. Power will only come on if the camera is connected to a power source.

Camera Button – In video mode, pressing the camera button will capture a still image.

Reset Button – Should the system crash for any reason, press the reset button to reset the device.

Menu Button – Pressing the menu button will access all the menus for the camera. If this is pressed whilst the camera is recording nothing will happen. Stop the recording to access the menus.

File Protection Button – In video mode, when the device is recording, press this button to set the video recording to be protected manually. This will stop it from being overwritten by loop recording.

In playback mode, press this button to lock or unlock the video/picture file.

When file protection is active, the  will appear on the LCD display.

Mode Button – The camera only has 2 modes, video and playback mode. Pressing this button during standby will switch between playback and video mode. If this is pressed whilst the camera is recording nothing will happen.

Up Button – In video and standby mode, pressing this button will turn on/off the LCD display.

In the menu screen pressing this button will navigate upwards

In playback mode pressing this button will choose the previous file.

When playing a video in playback mode pressing this button will rewind the video

OK Button – In video mode pressing this button will start/stop video recording.

In playback mode pressing this button will play/pause a video file.

In menu pressing this button will confirm the selection.

Down Button – In vide mode pressing this button will turn on/off the sound recording function.

In menu pressing this button will navigate downwards.

In playback mode pressing this button will chose the next file.

When playing a video in playback mode pressing this button will fast forwards the video.

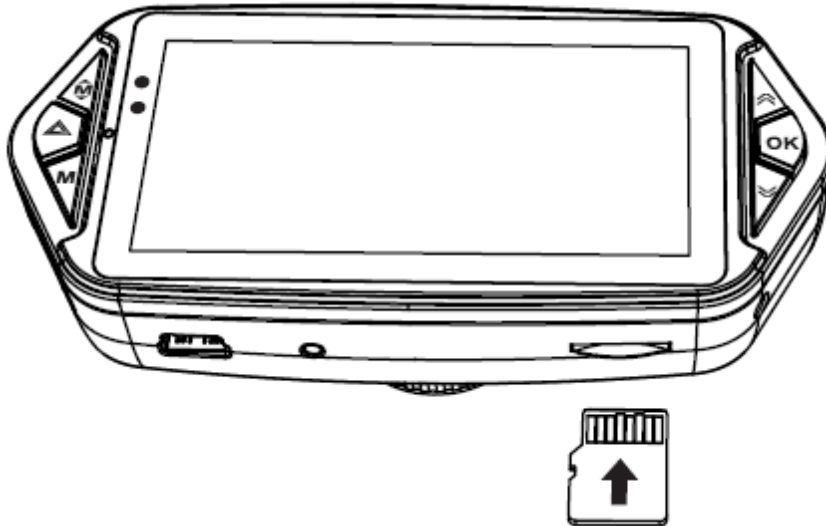
LED STATUS LIGHTS

LED Light	Status	Meaning
Status Light (Blue)	Flashing	Video is recording
	On	Camera is in standby or playback mode
	Off	Device is off
Charging Light (Red)	On	Battery charging
	Off	Charging complete

OPERATION

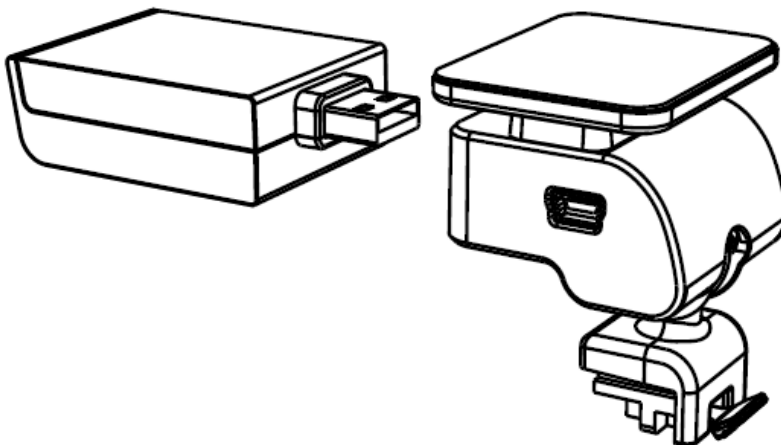
Micro SD Card Installation

Install the Micro SD card as shown below:




GPS Module Installation (500GCAM only)

Insert the GPS module into the camera holder as shown below:



Install the device on the windscreen using the sticker or sucker.

When the power is on, the device will automatically search and find GPS signal where available.

When the unit has found a GPS signal the GPS icon  will be shown on the camera display.

Power Connection

Connect the USB charger to the USB port (21) on the camera holder. Connect the other end to the 12V outlet (e.g. cigarette lighter) in your vehicle. The camera will power on automatically once the 12V outlet is turned on.

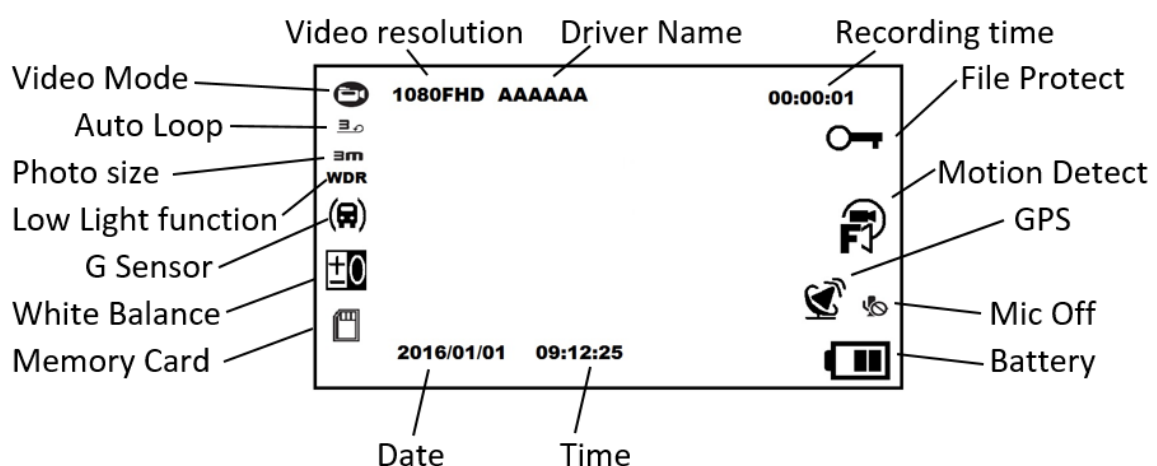
Note: There are 2 Mini USB ports on the device. One on the camera holder and one on the camera. If you connect the power to the one on the device, only the device will be powered. If you connect the power to the one on the camera holder, both the camera and GPS module will be powered.

G-Sensor Function

In the event of a collision the Gravity Sensor (G Sensor) will record the direction and data associated with that collision. The sensitivity of the G Sensor can be set to activate the protection function for the current video file. This will stop the file being over written in the event of a collision. The sensitivity can be altered in the settings menu, the higher the value the more sensitive the G Sensor will be.

Video Mode

When the device is powered on it will default to recording mode and the screen will display as below:



The video mode icon will be a blinking red dot to indicate that the camera is recording.

Still Picture

To capture a still picture, press the Camera Button (14). In video mode this will take a picture of the current view from the camera. In playback mode this will take a snapshot of the current frame on the video.

MENU SETTINGS

Pressing the Menu button (6) once will bring up the Video Mode Menu.

Navigate the menu by pressing the Up (11) & Down (13) buttons. Make a selection by pressing the OK (12) button.

The following settings can be selected and changed:

Item	Options	Remark
Resolution	1080FHD 1920x1080 720P 1280x720 WVGA 848X480 VGA 640X480	The higher the resolution the better quality the video but the recording time on your Micro SD card will be reduced.
Loop Recording	Off 2 Minutes 3 Minutes 5 Minutes	The length of a file created before it is recorded over.
Picture Resolution	12M 4032x3024 8M 3264x2448 5M 2592x1944 3M 2048X1536 2M 1920X1080	The higher the resolution the better quality the picture will be but it will use up more space on your Micro SD card.
Exposure	+2.0 +5/3 +4/3 +1.0 +2/3 +1/3 +0.0 -1/3 -2/3 -1.0 -4.3 -5/3	The higher the exposure the brighter the image will be, the lower it is the darker it will be. Start at +0.0 and adjust as required to the conditions you are recording in.

	-2.0	
White Balance	Auto Daylight Cloudy Tungsten Fluorescent	Under normal conditions Auto will adjust the white balance accordingly. If you need to alter this, select the relevant option to your conditions.
WDR	Off On	Turn this on for low light use.
Motion Detection	Off Low Medium High	The higher the setting the more sensitive the motion detection will be.
G Sensor Set	Off Low Medium High	The higher the setting the more sensitive the G Sensor will be.
Record Audio	Off On	Turn on or off the built in microphone.
Date Stamp	Off On	Turn on or off the date stamp on videos/images
Plate Number on Movie	AAAAAA – 999999	Press the up or down arrow to navigate alphabet and numbers. Press OK to select character and move to next.
Car Plate Stamp	Off On	Turn on or off the Plate Number stamp on videos.
Image rotation	Off On	Rotate the image display if the camera is to be used upside down.

Pressing the Menu button (6) again will bring up the Setup Menu. Navigate the menu by pressing the Up (11) & Down (13) buttons. Make a selection by pressing the OK (12) button. The following settings can be selected and changed:

Item	Options	Remark
Date/Time	2016/01/01 09:25:26 YY/MM/DD	Press the up or down arrow to navigate numbers. Press OK to select and move to next. Change date format as required. Press Menu button to return to menu.
Power On Delay	Off 10 Seconds 20 Seconds 30 Seconds	Delay the point that the camera turns on once it receives power.
Power Off Delay	Off 10 Seconds 20 Seconds 30 seconds	Delay the point that the camera turns off once it stops receiving power.
Auto Power Off	Off 1 Minute 3 Minutes 5 Minutes	When the camera isn't recording it will turn itself off after the selected time period.
Beep Sound	Off On	Turn on or off the beeps when keys are pressed.
Screen Savers	Off Screen: 1Min Off Screen: 3Min Off Screen: 5Min Off	Select the time point that the screen powers off whilst the camera is running.
Keyboard Backlight	Auto Off On	Select whether the buttons are illuminated or not. Auto will illuminate in low light and turn off in daylight.

TV Mode	NTSC PAL	Select for region. UK generally uses PAL.
Frequency	50Hz 60Hz	Choose the camera frequency best suited to your region. 50Hz will generally work best for UK.
Language	English Français Español Português Deutsch Italiano Čeština Polski Mandarin Cantonese Russian Japanese	Select your desired language.
Format	Cancel OK	Selecting OK will format the memory card and all recordings will be lost. Select cancel to avoid formatting.
Default Setting	Cancel OK	Selecting OK will return the camera to its default settings. Select cancel to avoid resetting.
Version	CR500S_V1.5_20150720	Displays the software version currently installed.

Press the Menu button again to return to Video Mode.

CONNECTION

Connect to TV

The device can connect to any screen with an HDMI connection.

1. Insert the Micro SD card to the device
2. Connect HDMI cable to the video playback equipment (TV or monitor) and device.
3. Power on the device.
4. Select the HDMI input on the video equipment.
5. Select the videos/photos to display from the playback menu.

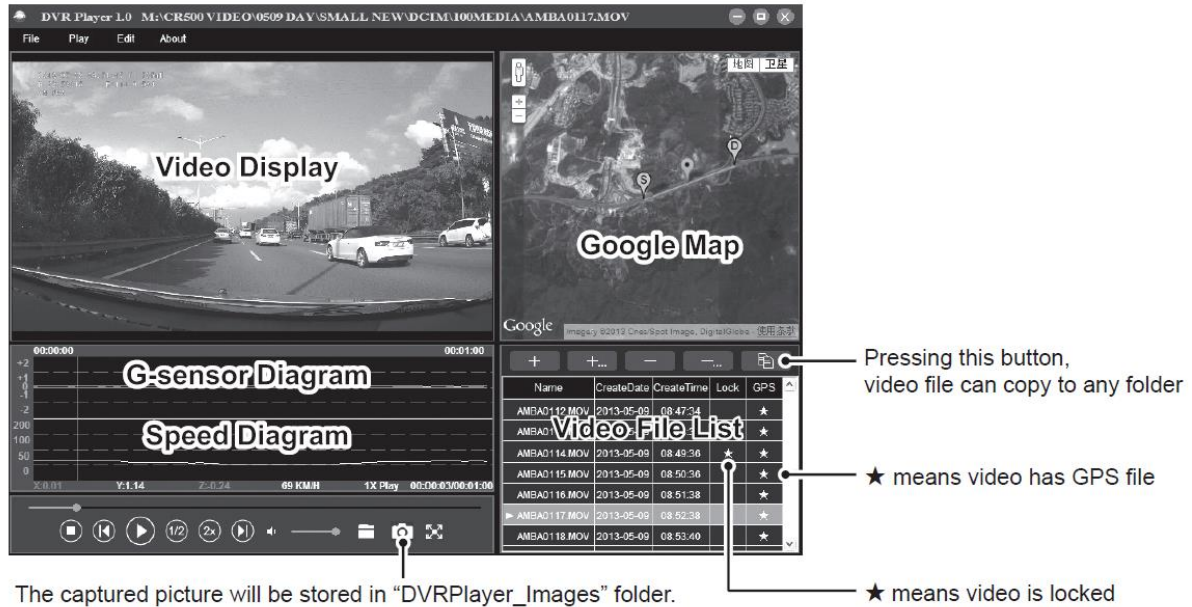
Note: When you connect the camera to a TV or monitor, its LCD screen will automatically shut off.

Connect to Computer

1. Insert Micro SD card to the device
2. Connect USB cable to device and computer. "USB connection" will be shown on screen and removable disk will be shown on computer
3. Open the removable disk and pictures and video files will be present.

DVR PLAYER

When you open the Micro SD card on your computer the DVR player will be installed on it. The DVR player will be displayed as below:



Note: Before using the player, please install Apple QuickTime, Microsoft DirectX 9.0C and IE7.0 or higher.

PRODUCT SPECIFICATION

Chipset		Ambarella A2S60
Camera	Resolution	2 Mega CMOS Sensor, OV2710, good night vision performance
	View Angle	135° in 1080P for 17mm lens, 110° in 1080P for 14mm lens
Audio		Built-in Microphone
Still Image		2560x1440, 2304x1296, 1920x1080, 1280x720
LCD		2.7 inch LCD Display
GPS Logger (500GCAM only)		Modulization GPS Logger GPS Logger for path, position, speed and time record. Replay path, position information on Google Map
G-Sensor		When encountering high impact, the device will automatically protect the latest files so they are not deleted.
Micro SD Card Slot		Supports up to 64GB Micro SD Card
Interface	USB	USB 2.0
	HDMI	HDMI
Battery		Built-in 250mAh Battery
Power		12-24V Car Charger
Colour		Black
Size		99x49x37mm

APPENDIX



Disposal: Do not dispose this product as unsorted municipal waste. Collection of such waste must be handled separately as special treatment is necessary.

Recycling facilities are now available for all customers at which you can deposit your old electrical products. Customers will be able to take any old electrical equipment to participating sites run by their local councils. Please remember that this equipment will be further handled during the recycling process, so please be considerate when depositing your equipment. Please contact the local council for details of your local household waste recycling centres.

www.ElectriQ.co.uk/support

If the unit fails to operate call: 0871 620 1057 or complete the online form

Office hours: 9AM - 5PM Monday to Friday

www.ElectriQ.co.uk

Unit 2, The Nursery

Berristow Lane

South Normanton

Derbyshire, DE55 2FX