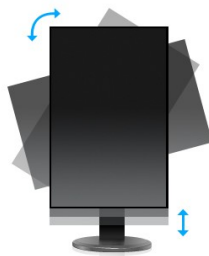




High-end 24" AMVA monitor featuring height adjustable stand

ProLite XB2483HSU-B2DP - a 24" LED backlit LCD Screen featuring AMVA panel technology, guarantees accurate and consistent colour reproduction with wide viewing angles. Offering 24 bit 'True Colour' and great performance for displaying Black and White with the 3000:1 Native Contrast Ratio, means that the ProLite XB2483HSU-B2DP will provide excellent performance for Photographic, Design and Web-design. The monitor features a height adjustable stand with PIVOT function making it also an excellent choice for Universities, Corporate and Financial Markets.



HAS + PIVOT

With a height adjustable stand you will create an ergonomic work posture and position that meets all health and safety requirements. This will not only prevent any health issues but will also increase your productivity. The pivot function allows the screen to rotate from landscape to portrait orientation. This functionality can be useful if the application requires more height than width.



AMVA

AMVA technology offers higher contrast, darker blacks and much better viewing angles than standard TN technology. The screen will look good no matter what angle you look at it.

1. DISPLAY CHARACTERISTICS

DIAGONAL	23.8"; 60.5cm
PANEL	AMVA LED-Backlit
DISPLAY AREA H X W	296.5 x 527 mm; 11.7" x 20.7"
RESPONSE TIME	4 ms
CONTRAST	3 000 : 1 typical
CONTRAST	12 000 000 : 1 ACR
BRIGHTNESS	250 cd/m ² typical
VIEWING ZONE	horizontal/vertical: 178° / 178°; right/left: 89° / 89°; up/down: 89° / 89°
DISPLAY COLOUR	24-bit, 16.7 million
PIXEL PITCH H X V	0.275 x 0.275 mm
NATIVE RESOLUTION	Full HD 1080p, 1920 x 1080 (2.1 megapixel)
HORIZONTAL SYNC	30 - 80 KHz
VERTICAL SYNC	55 - 75 Hz
SYNCHRONIZATION	Separate sync
ASPECT RATIO	16 : 9

2. INTERFACES & CONNECTORS

ANALOG INPUT CONNECTOR	VGA
DIGITAL INPUT CONNECTOR	DVI-D, DisplayPort
HDCP	yes;
HEADPHONE CONNECTOR	Yes
OUTPUT CONNECTOR	headphone connector
USB HUB	UP 1 x USB 2.0 / DOWN 2 x USB 2.0

3. SPECIAL FEATURES

APPLE - MAC	All iiyama monitors are compatible with Apple-Macintosh computers.
PLUG & PLAY	VESA DDC2B™
CONTROLS	Via OSD in 11 languages (EN, DE, FR, ES, IT, PL, NL, Chinese, RU, JP, CZ) and 6 front controls (Power, Menu/ Select, Scroll up/ Volume, Scroll down/ ECO, Exit, Auto)
USER CONTROLS	auto adjust, luminance (brightness, contrast), geometry (H. position, V. position, clock, phase), colour, OSD (H. position, V. position, timeout), language, recall, miscellaneous (sharpness, DDC/CI, display information, ACR, display mode, OD, opening logo), input select, audio adjust (volume, mute, DisplayPort audio)
SPEAKERS	2 x 2 W (Stereo)
ANTI-THEFT-DEVICE	Kensington-lock™ prepared
CERTIFICATES	TCO, CE, TÜV-GS, VCCI-B, CU
HEIGHT ADJUSTABLE STAND	Yes
HEIGHT ADJUSTMENT	130 mm

ROTATION (PIVOT FUNCTION)	90°
SWIVEL STAND	90°; 45° left; 45° right
TILT ANGLE	22° up; 5° down
VESA MOUNTING	100 x 100 mm
COLOUR	Black

4. ACCESSORIES

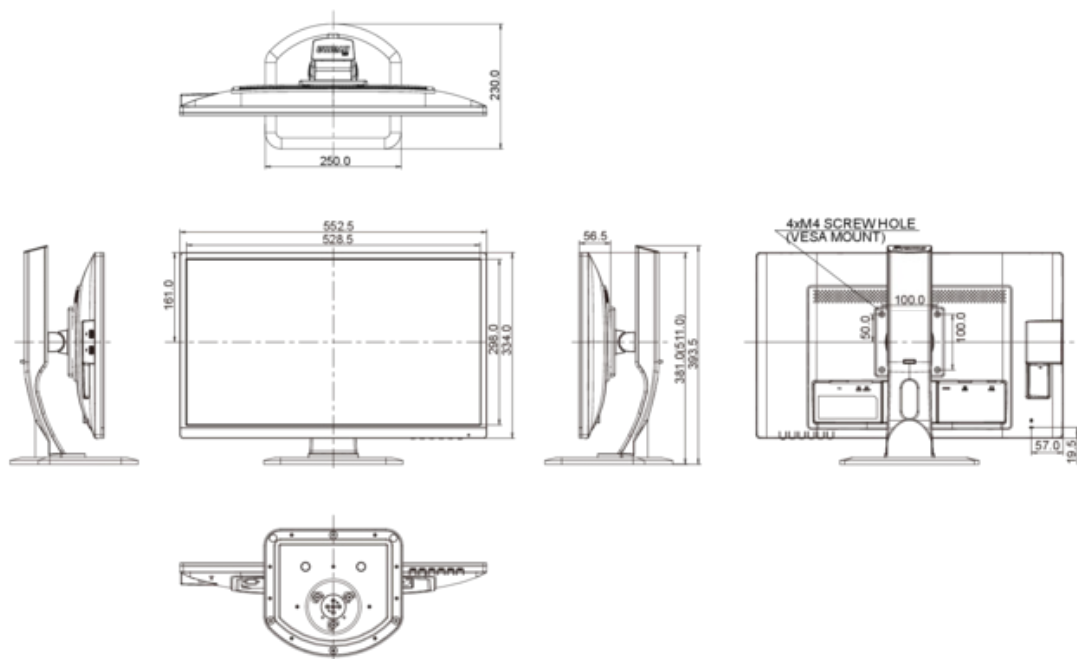
DRIVER	Windows 95 / 98 / 2000 / ME / XP / Vista / 7 / 8/ 10
INCLUDED ACCESSORIES	power cable, DVI-D cable, DisplayPort cable, USB cable, audio cable, stand, quick start guide, safety guide

5. POWER MANAGEMENT

POWER SUPPLY	AC 100 - 240 V, 50 / 60 Hz
POWER SUPPLY UNIT	internal
POWER USAGE	25 W typical; max. 0.5 W in Power management mode
POWER MANAGEMENT	VESA DPMS, ENERGY STAR®

6. DIMENSIONS & WEIGHT

DIMENSIONS W X H X D	552.5 x 381 (511) x 230 mm
WEIGHT	5.6 kg



All trademarks and registered trademarks acknowledged. E & O E. Specification subject to change without notice. All LCD's comply with ISO-9241-307:2008 in connection with pixel defects.