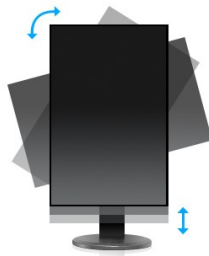




Full HD LED monitor with 1 ms response time, perfect choice for home and office

The ProLite B2483HS is an excellent 24" Full HD LED-backlit monitor with 1920 x 1080p resolution. It features 1ms response time and 12 000 000 : 1 Advanced Contrast Ratio, assuring clear and vibrant picture quality and high contrast. Triple Input support ensures compatibility with the latest installed graphics cards and embedded Notebook outputs. The ergonomic stand offers 13 cm height adjustment with pivot and swivel, making this screen suitable for a wide range of applications and environments where workplace flexibility and ergonomics are key factors. The monitor is TCO6 and Energy Star Certified. A perfect solution for education, local government, business and finance markets.



HAS + PIVOT

With a height adjustable stand you will create an ergonomic work posture and position that meets all health and safety requirements. This will not only prevent any health issues but will also increase your productivity. The pivot function allows the screen to rotate from landscape to portrait orientation. This functionality can be useful if the application requires more height than width.



FLICKER FREE + BLUE LIGHT

The ultimate solution for the comfort and health of your eyes. Flicker free monitors with blue light reducer function. Absolutely no flickering. And the amount of blue light emitted by the screen and responsible for your eyes feeling fatigued substantially reduced.

## 1. DISPLAY CHARACTERISTICS

DIAGONAL	24"; 61cm
ASPECT RATIO	16 : 9
PANEL	TN LED, matte finish
NATIVE RESOLUTION	Full HD 1080p, 1920 x 1080 @75Hz (HDMI&DisplayPort) (2.1 megapixel)
BRIGHTNESS	250 cd/m <sup>2</sup> typical
STATIC CONTRAST	1000 : 1 typical
ADVANCED CONTRAST	80 000 000 : 1 ACR
RESPONSE TIME	1ms
VIEWING ZONE	horizontal/vertical: 170° / 160° ; right/left: 85° / 85° ; up/down: 80° / 80°
DISPLAY COLOUR	16.7 million
BLUE LIGHT REDUCER	yes
FLICKER FREE LED	yes
DISPLAY AREA H X W	298.9 x 531.4 mm; 11.8" x 20.9"
VIEWING ZONE CR>5	horizontal/vertical: 178° / 170° ; right/left: 89° / 89° ; up/down: 85 / 85°
PIXEL PITCH H X V	0.276 x 0.276 mm
HORIZONTAL SYNC	30 - 80kHz
VERTICAL SYNC	55 - 75Hz
SYNCHRONIZATION	Separate Sync

## 2. INTERFACES / CONNECTORS / CONTROLLERS

ANALOG INPUT CONNECTOR	VGA
DIGITAL INPUT CONNECTOR	DisplayPort, HDMI
HDCP	yes
HEADPHONE CONNECTOR	yes
OUTPUT CONNECTOR	headphone connector

## 3. FEATURES

APPLE - MAC	All iiyama monitors are compatible with Apple-Macintosh computers.
PLUG & PLAY	VESA DDC2B™
CONTROLS	Via OSD in 11 languages (EN, DE, FR, ES, IT, PL, NL, Chinese, RU, JP, CZ) and 6 front controls (Power, Menu/ Select, Scroll up/ Volume, Scroll down/ ECO, Exit, Input Select)
USER CONTROLS	picture adjust (contrast, brightness, OD, ACR, ECO. Blue Light Reducer), input select, audio adjust (volume, mute, digital audio), colour adjust, image adjust (auto adjust, H. position, V. position, clock, phase, sharpness, video mode adjust), language, setup (OSD position, OSD timeout, opening logo, auto power off), display information, reset
SPEAKERS	2 x 1 W (Stereo)
ANTI-THEFT-DEVICE	Kensington-lock™ prepared
REGULATIONS	TCO, CE, TUV-GS, VCCI-B, PSE, CU

HEIGHT ADJUSTABLE STAND	Yes
HEIGHT ADJUSTMENT	130mm
ROTATION (PIVOT FUNCTION)	90°
SWIVEL STAND	90°; 45° left; 45° right
TILT ANGLE	22° up; 5° down
VESA MOUNTING	100 x 100 mm
COLOUR	Black

## 4. ACCESSORIES

INCLUDED ACCESSORIES	power cable, HDMI cable, stand-base, quick start guide, safety guide
----------------------	--

## 5. POWER MANAGEMENT

POWER SUPPLY	AC 100 - 240 V, 50 / 60 Hz
POWER SUPPLY UNIT	internal
POWER USAGE	24 W typical; max. 0.5 W in Power management mode
POWER MANAGEMENT	VESA DPMS, ENERGY STAR®

## 6. EU ENERGY EFFICIENCY LABEL

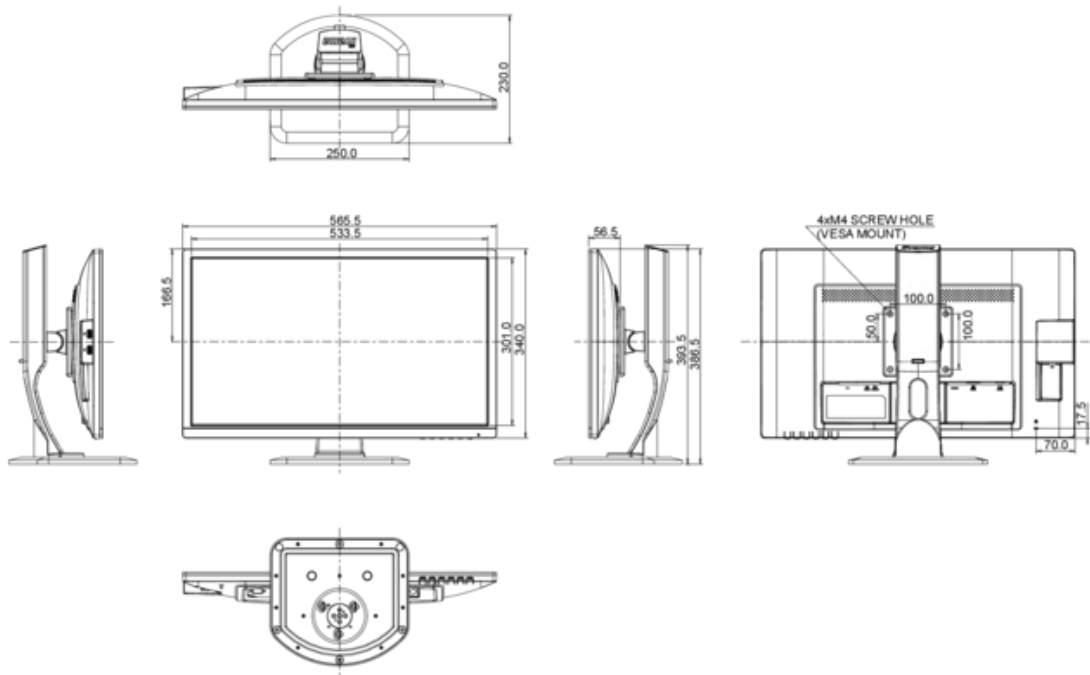
ENERGY EFFICIENCY CLASS	A
ON MODE POWER CONSUMPTION	24.9W
ANNUAL ENERGY CONSUMPTION	36 kWh/annum*
VISIBLE SCREEN DIAGONAL	61 cm; 24"; ( 24" segment )

*This is information under Regulation (EU) No 1062/2010.*

*\*Based on the power consumption of the television operating 4 hours per day for 365 days. The actual energy consumption will depend on how the television is used.*

## 7. DIMENSIONS / WEIGHT

DIMENSIONS W X H X D	565.5 x 386.5 (516.5) x 230 mm
WEIGHT	5.1 kg



All trademarks and registered trademarks acknowledged. E & O E. Specification subject to change without notice. All LCD's comply with ISO-9241-307:2008 in connection with pixel defects.

© IIYAMA CORPORATION ( ). ALL RIGHTS RESERVED.