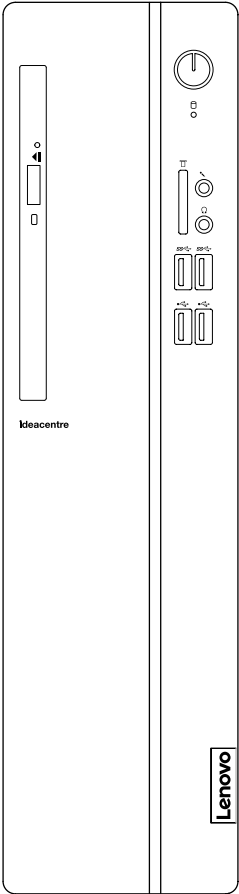




# 310S Series

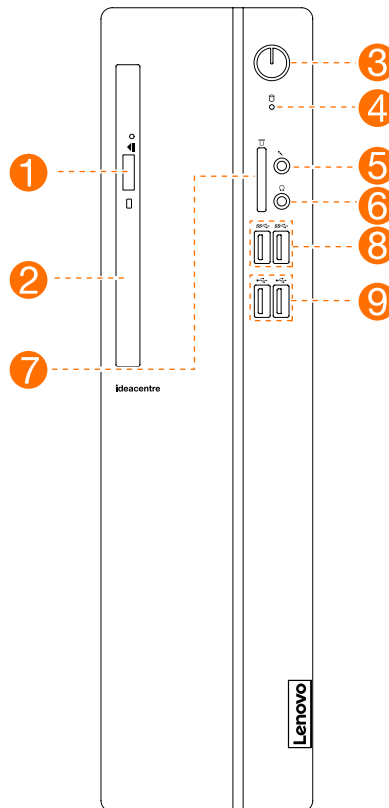
## User Guide

Machine Type (MT):  
90G9 [ideacentre 310S-08ASR/Energy Star]  
90HX [ideacentre 310S-08IGM/Energy Star]



# Front view of the computer

---



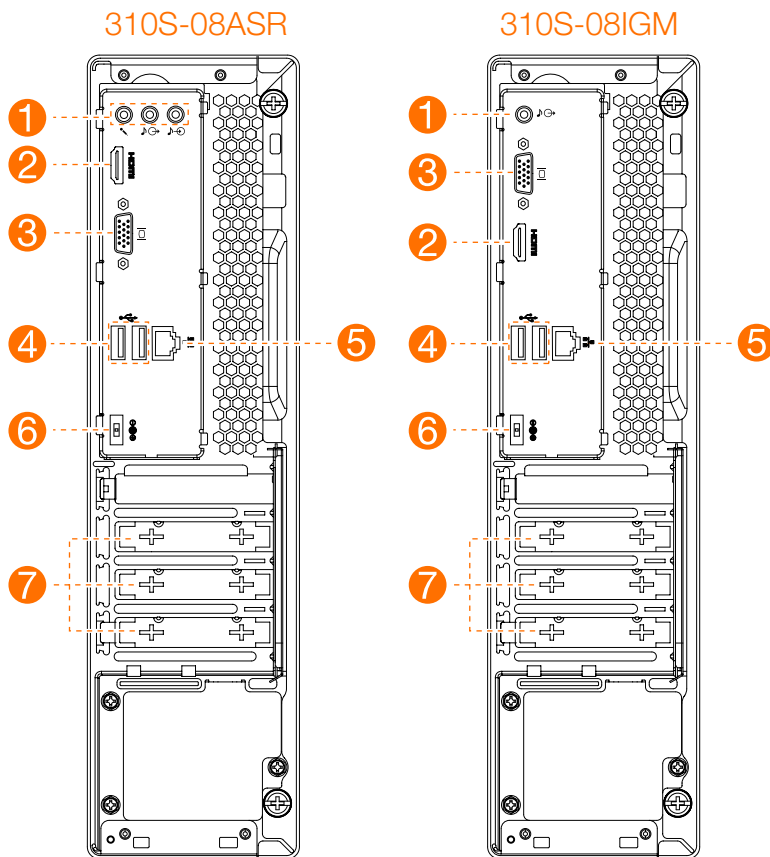
- ① Optical drive eject button (selected models only)
- ② Optical drive (selected models only)
- ③ Power button
- ④ Hard disk drive indicator
- ⑤ Microphone connector
- ⑥ Headphone connector
- ⑦ Memory card reader (selected models only)
- ⑧ USB 3.0 connectors (2)
- ⑨ USB 2.0 connectors (2)

**ATTENTION:** Be sure not to block any air vents on the computer. Blocked air vents may cause thermal problems.

**NOTE:** This computer only can be placed in a vertical position.

**ATTENTION:** Do not insert 3-inch discs into the optical drive.

# Rear view of the computer



- ① Audio connectors
- ② HDMI-out connector
- ③ VGA-out connector
- ④ USB 2.0 connectors (2)

- ⑤ Ethernet connector
- ⑥ Power connector
- ⑦ Expansion card slots (such as graphic card)

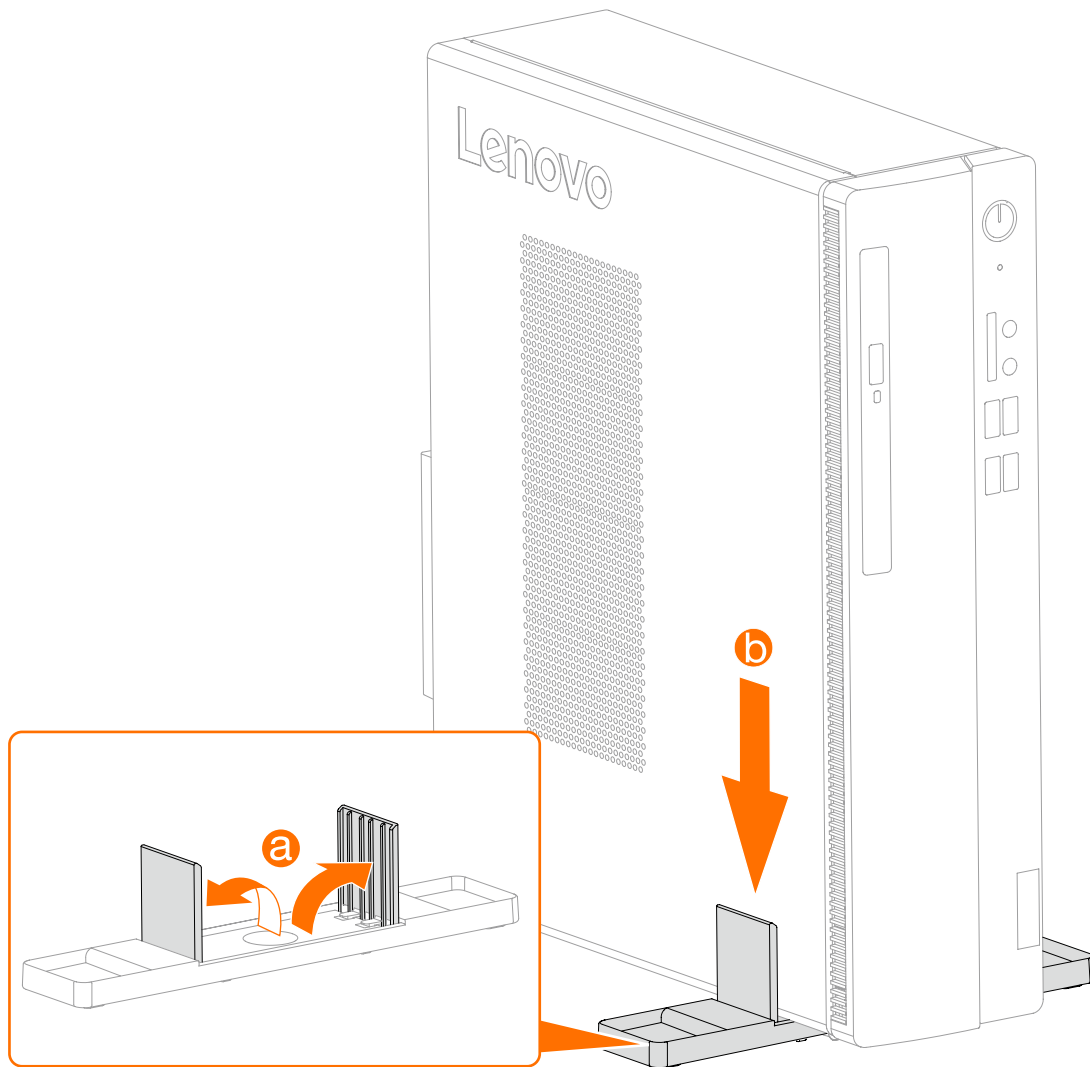
**NOTE:** If your model has two VGA monitor connectors, be sure to use the connector on the graphics adapter.

**ATTENTION:** Do not open the Wi-Fi antenna cover.

# Installing the computer bracket

---

**NOTE:** The computer bracket shown in the illustrations below is only for demonstration and need to be purchased separately.



## Safety information for replacing CRUs

---

Do not open your computer or attempt any repairs before reading the “Important safety information” in the *Safety, Warranty, Environment, Recycling Information Guide* and *Important Product Information Guide* that was included with your computer.

If you no longer have this copy of the *Safety, Warranty, Environment, Recycling Information Guide* and *Important Product Information Guide*, you can obtain one online from the website at <http://www.lenovo.com/UserManuals>.

## Pre-disassembly instructions

---

Before proceeding with the disassembly procedure, make sure that you do the following:

1. Turn off the power to the system and all peripherals.
2. Unplug all power and signal cables from the computer.
3. Place the system on a flat, stable surface.

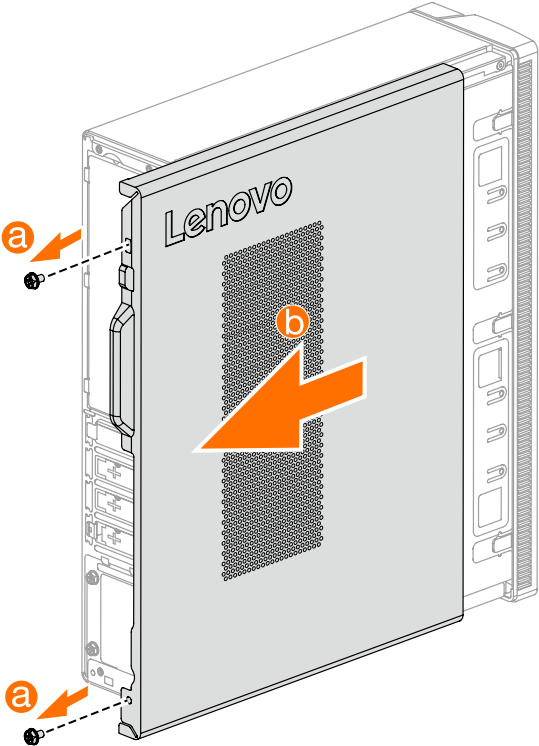
CRUs for your computer include:

- keyboard
- mouse
- hard disk drive
- optical drive
- PCI express adapter
- memory module

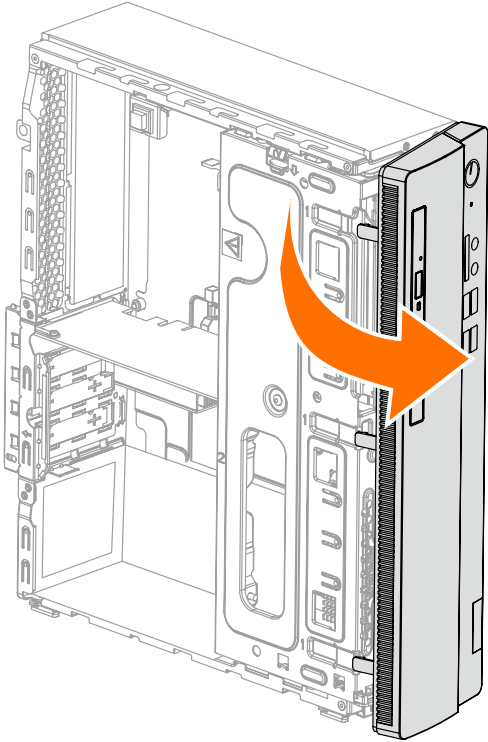
This part contains instructions for replacing the following parts:

- Hard disk drive (Follow steps: 1 2 3)
- Optical drive (Follow steps: 1 2 4)
- PCI express adapter (Follow steps: 1 2 5)
- Memory module (Follow steps: 1 2 6)

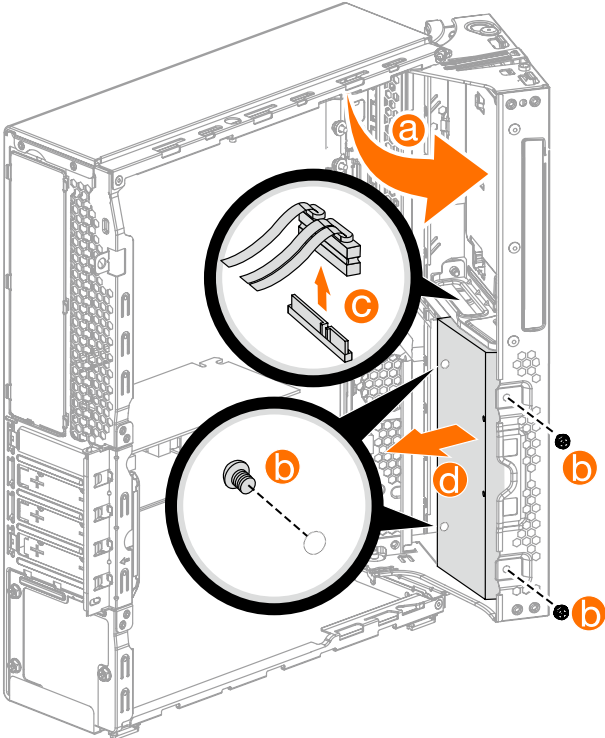
**1** Removing the computer cover



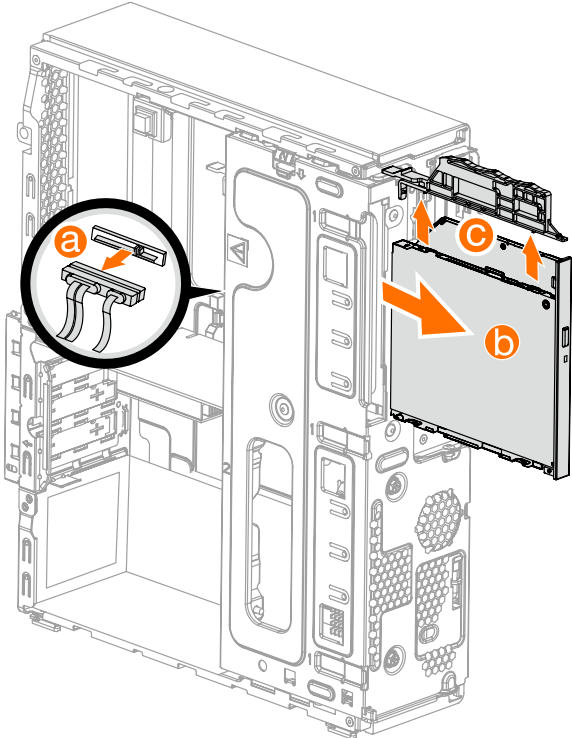
**2** Removing the front bezel



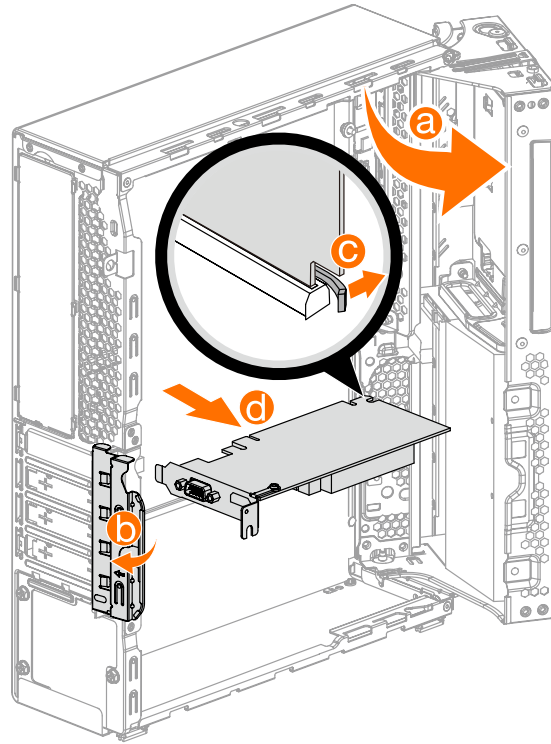
### 3 Replacing a hard disk drive



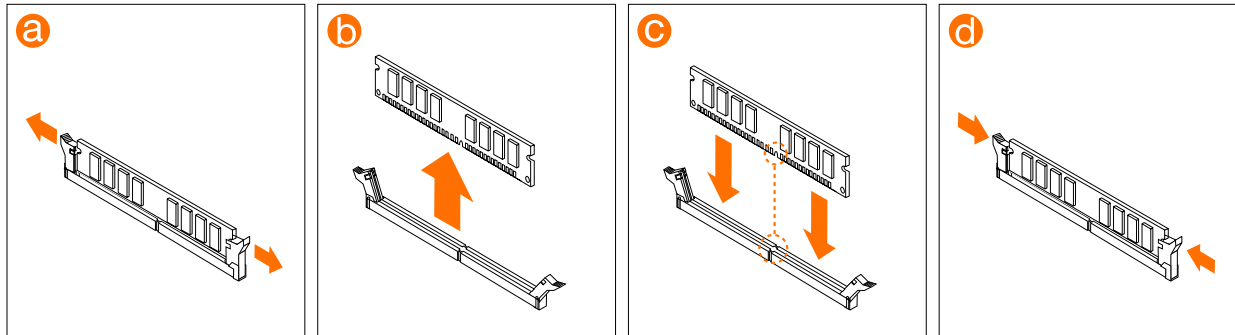
### 4 Replacing the optical drive



## 5 Replacing a PCI express adapter



## 6 Replacing a memory module



or

