

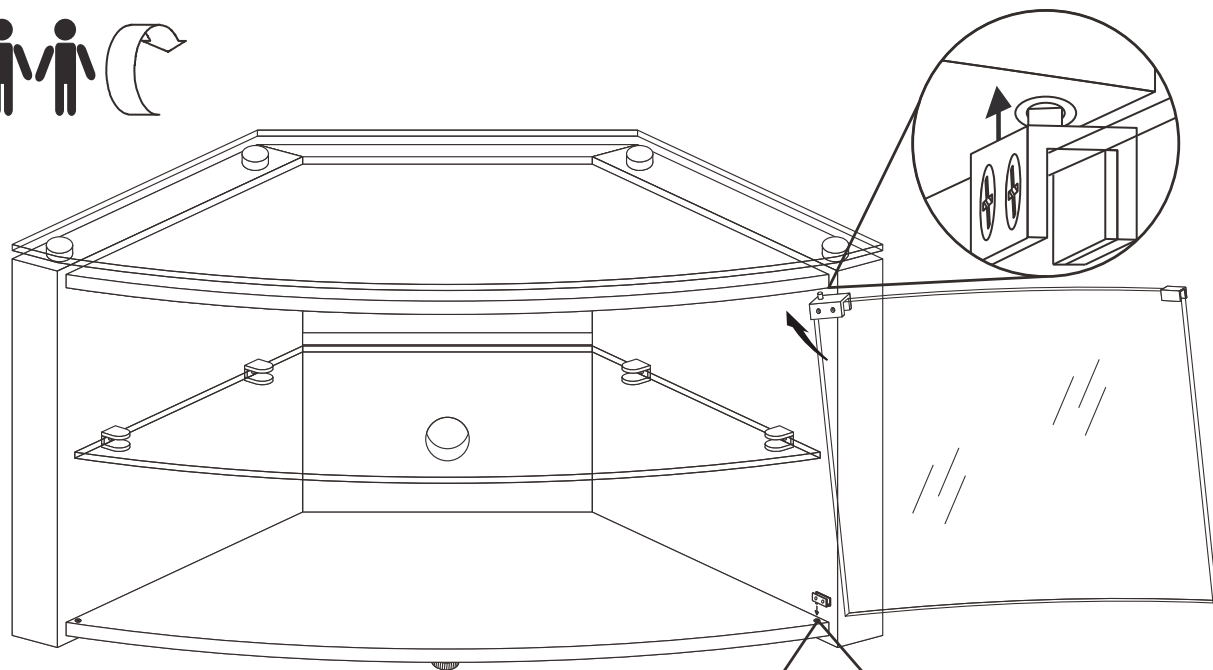


12

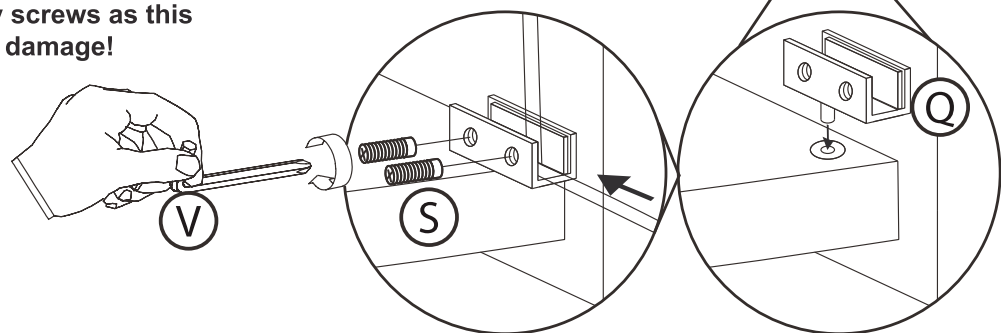
Q x1

S x2

V



Take extra care not to over tighten any screws as this may cause damage!

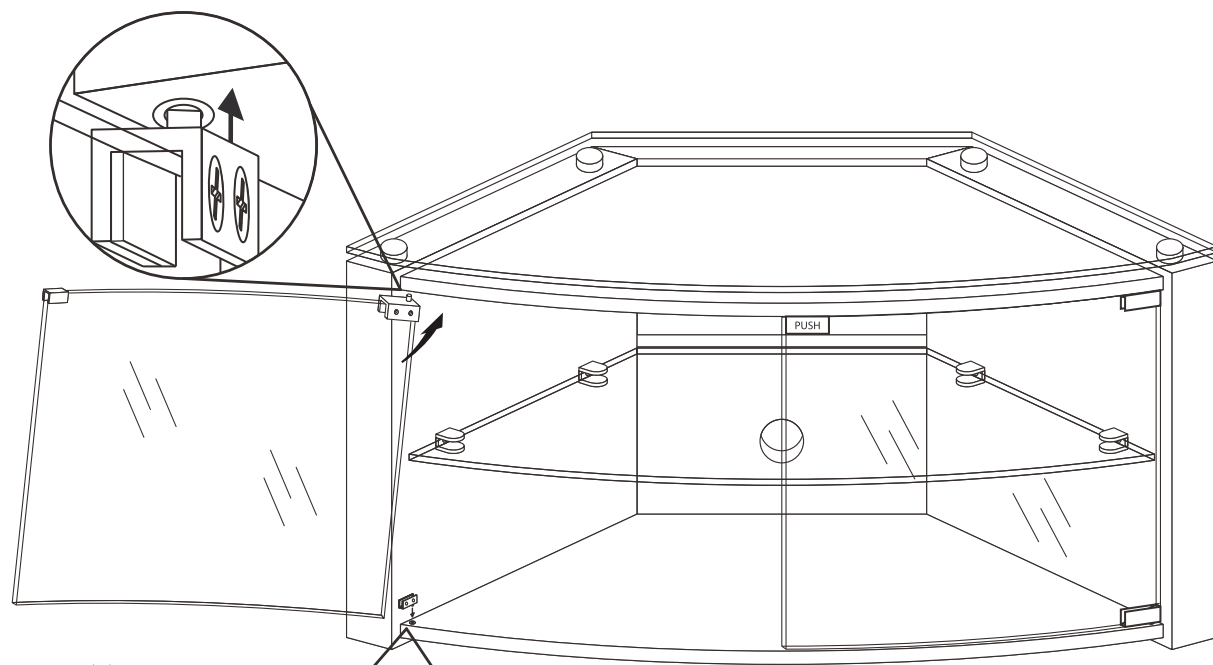


13

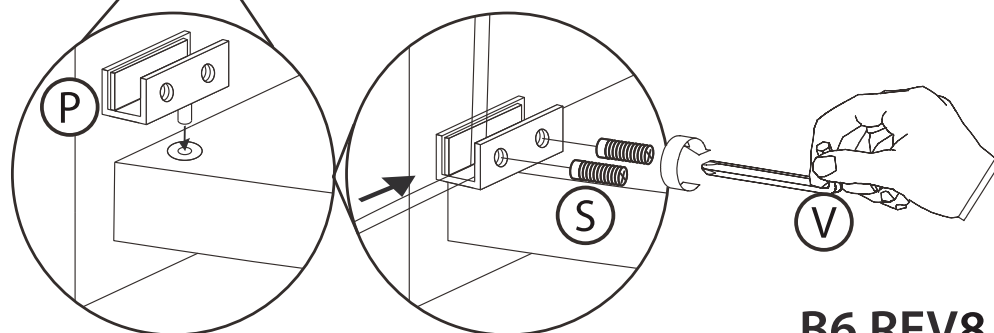
P x1

S x2

V

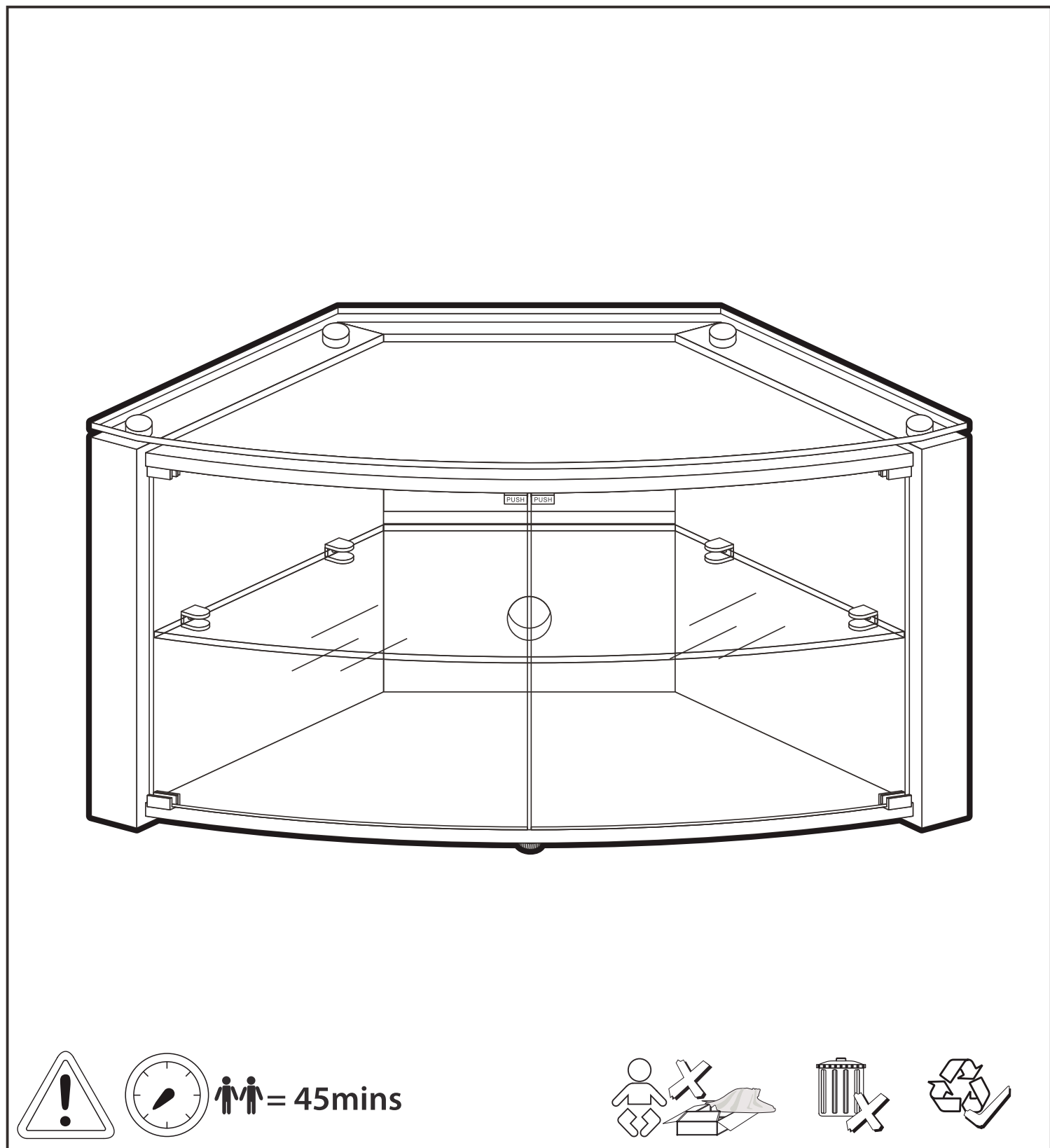


Take extra care not to over tighten any screws as this may cause damage!



B6 REV8

Product Name: BENCH CORNER+
Product Ref: B6B
Art Number: 406142/406143/406144



TECHLINK, A Division Of Tapehand Ltd.
Units 7 and 8 Bat and Ball Enterprise Centre
Bat and Ball Road
Sevenoaks
Kent
United Kingdom
TN14 5LJ



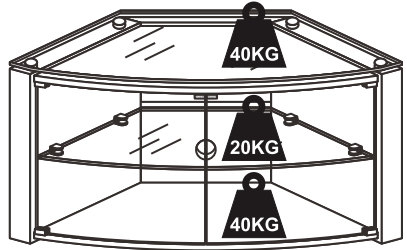
(UK)Free Phone 0800 634 2699
(US)Toll Free (844) 499-1159



spares@techlink.uk.com

Web

www.techlink.uk.com
www.recharge.uk.com



BENCH CORNER+ B6B



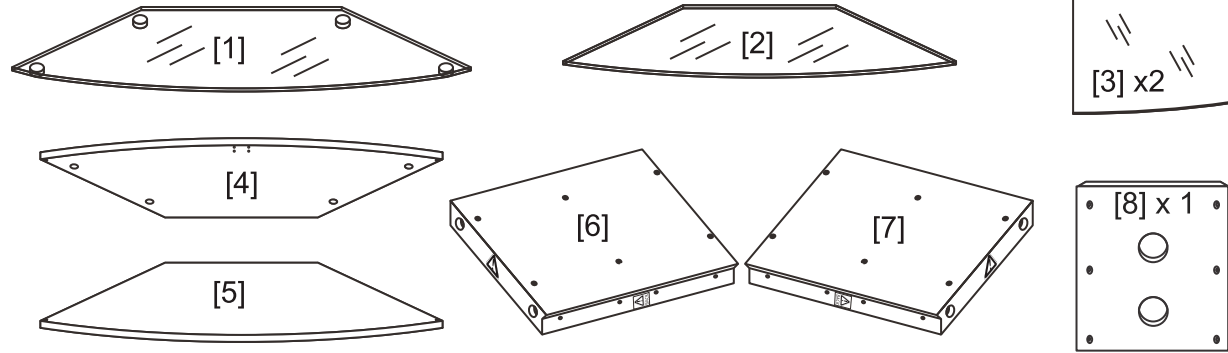
Take care not to overload the stand.



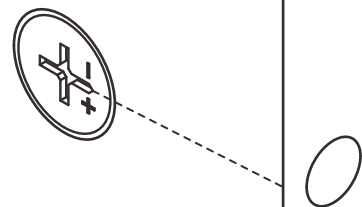
Build the stand on a soft surface to prevent risk of scratching.



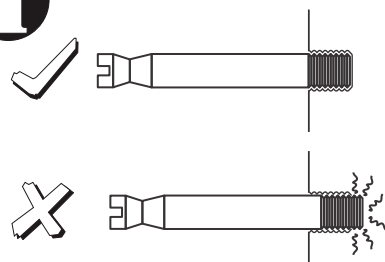
Take extra care not to over tighten any screws as this may cause damage!



Some construction steps may be easier with proper tools.



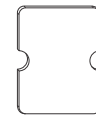
Make sure the arrows on all part C are aiming towards the panel edge when inserted.



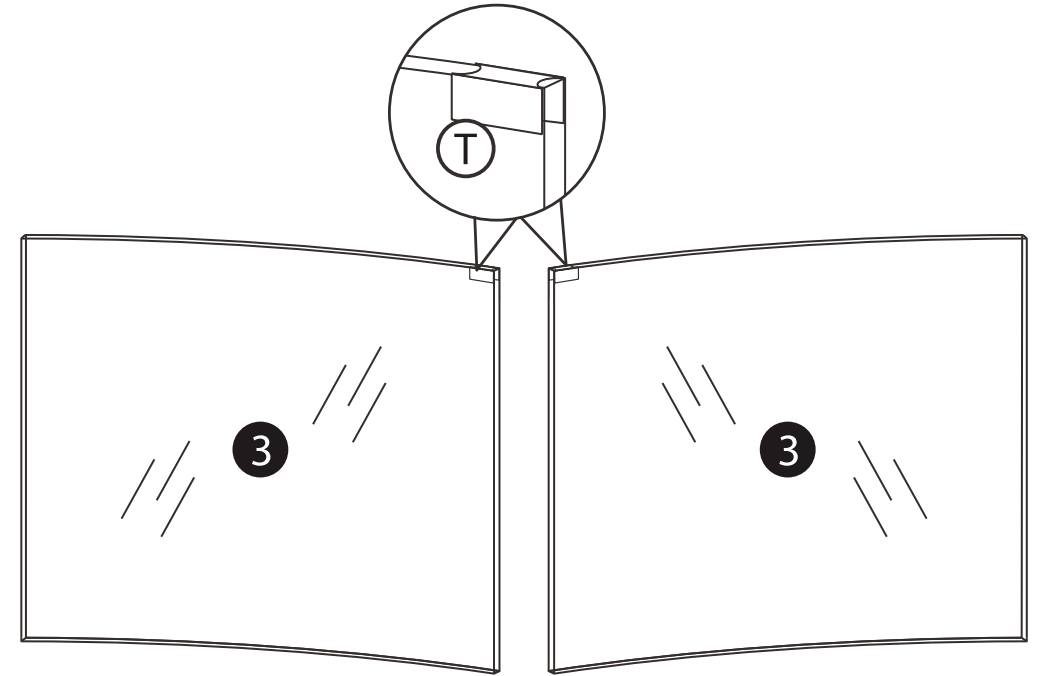
Make sure not to over tighten any part B as this could cause damage or error in alignment of panels.

10

T



x2



11

P



x1

Q



x1

S



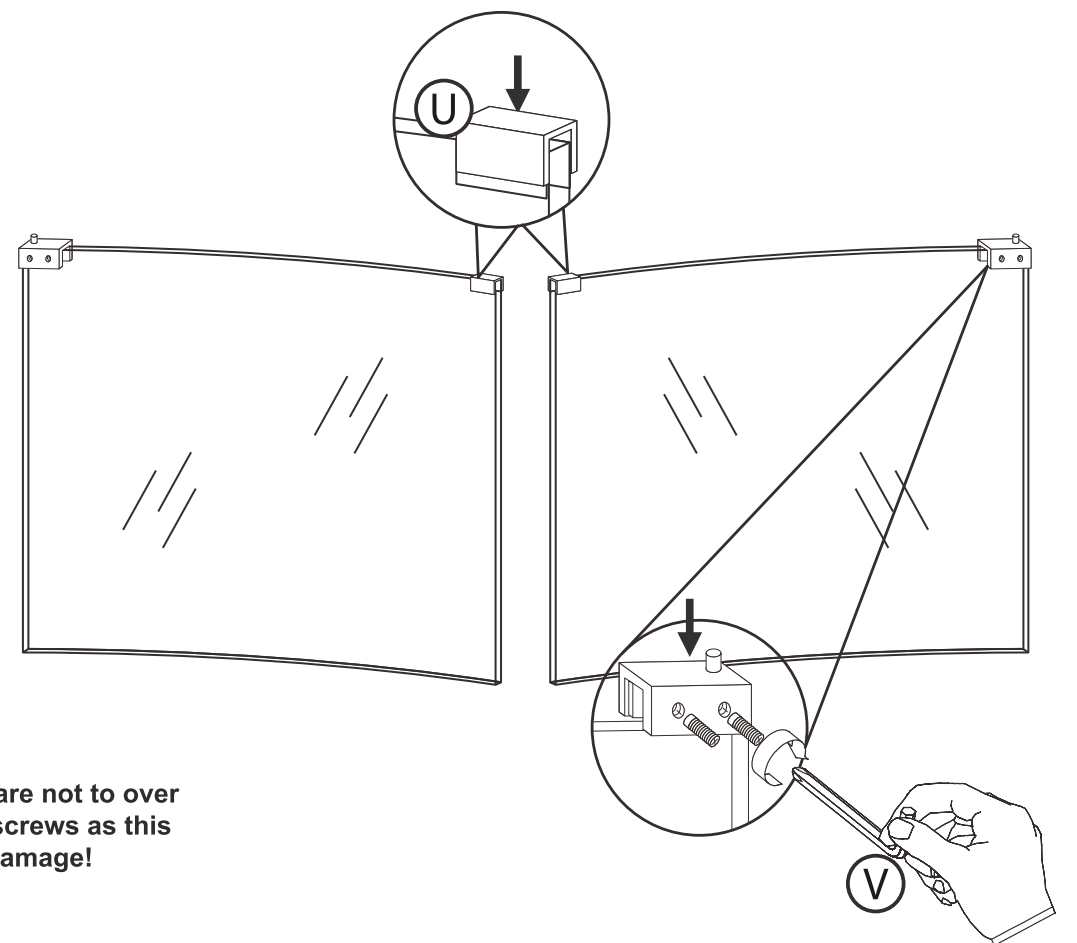
x4

U



x2

V



Take extra care not to over tighten any screws as this may cause damage!

